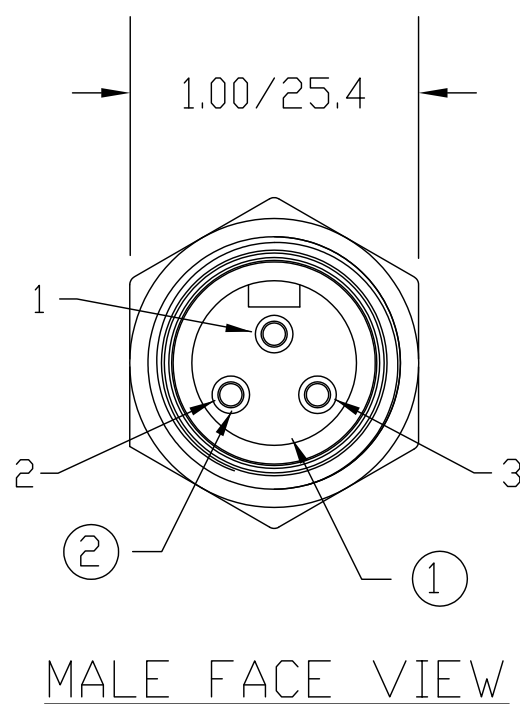
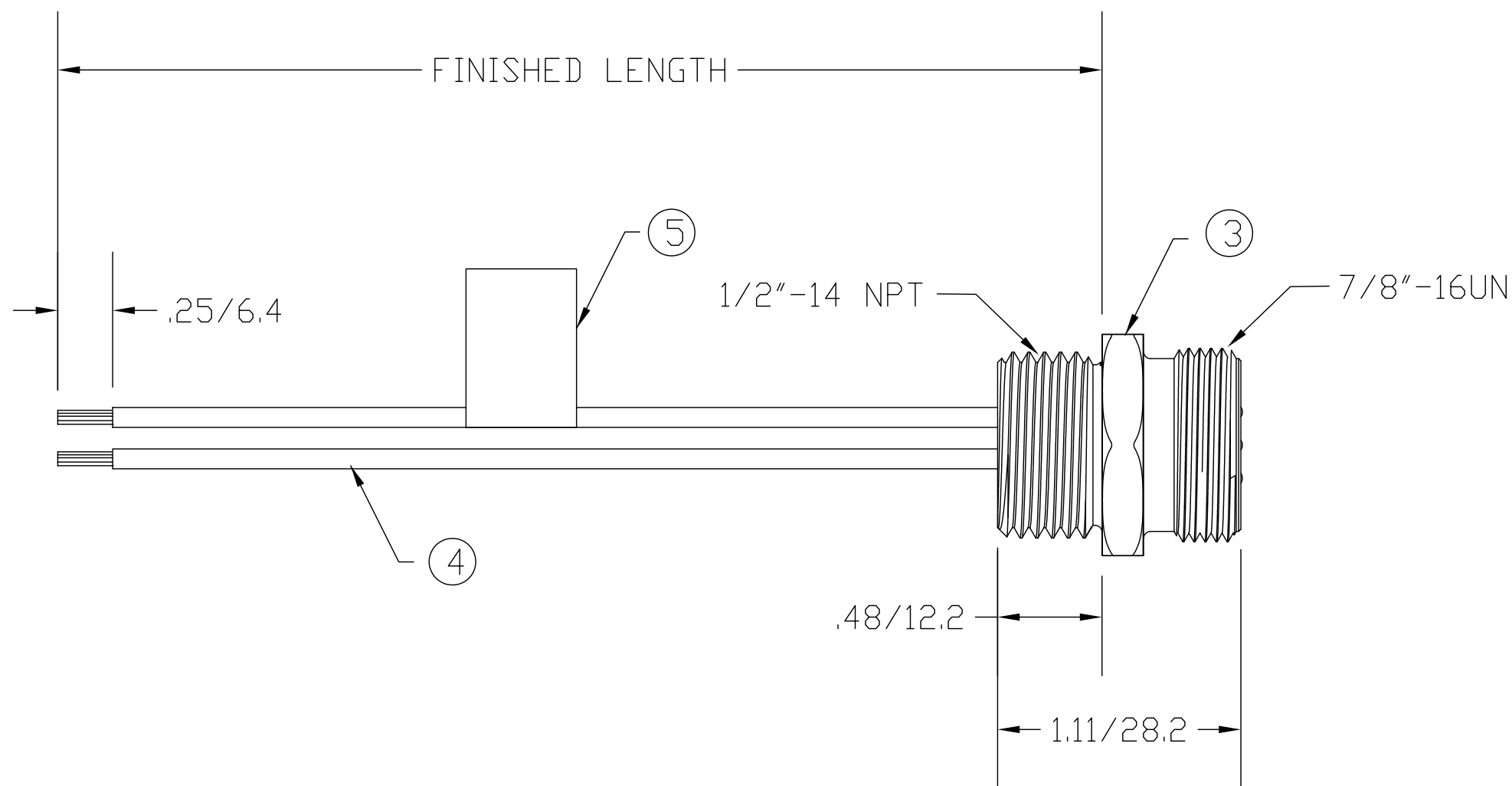
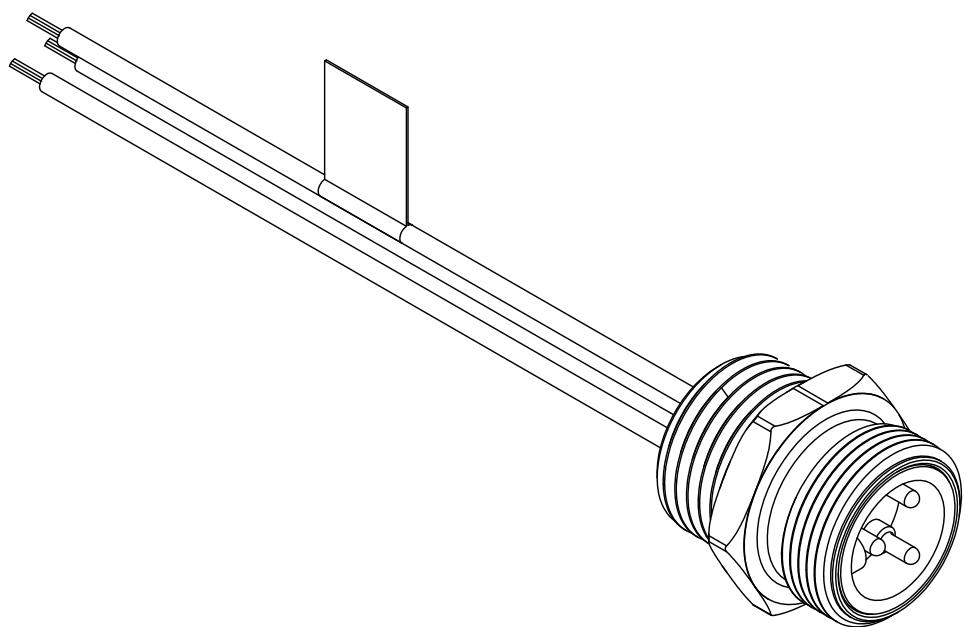
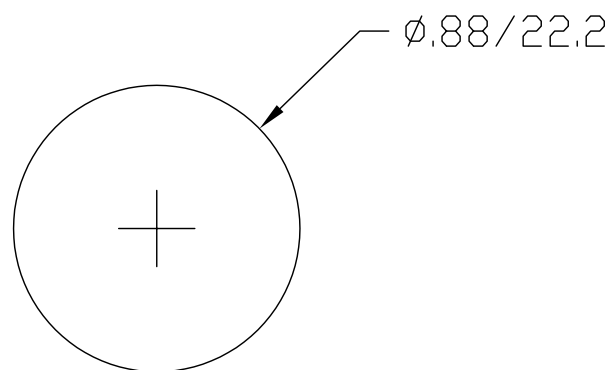


MATERIAL NUMBER	OLD PART NUMBER	FINISHED LENGTH
130013-0238	1R3006A25A120	12.00" +1.75" -0 [.3M +44.5 -0]



1	GREEN/YELLOW-GND
2	BROWN
3	BLUE

WIRING DIAGRAM



KNOCKOUT HOLE

VOLTAGE RATING	300 VAC/VDC
AMPERAGE RATING	10 AMPS
PROTECTION	IP67
OPERATING TEMPERATURE	-20°C TO 105°C
UL CERTIFICATIONS	UL LISTED, FILE NO. E258922
CSA CERTIFICATIONS	CSA CERTIFIED, FILE NO. LR6837

ITEM	COMPONENT	MATERIAL	FINISH
1	INSERT	PVC	YELLOW
2	CONTACT PIN	COPPER ALLOY	GOLD OVER NICKEL
3	RECEPTACLE SHELL	ZINC DIE CAST	BLACK E-COATED
4	CONDUCTOR - 18 AWG. 26 x #30 COPPER STRANDING, 300V	PVC	SEE WIRING DIAGRAM
5	FLAG LABEL	PLASTIC FILM	BLACK/YELLOW

RLSO DRAWING EC NO: WNA2010-0425 DRWN: BWOODMAN2010/01/08 CH'KD: TW APPR: JFMURPHY 2010/01/14	QUALITY SYMBOL	GENERAL TOLERANCES (UNLESS SPECIFIED)	DIMENSION STYLE	SCALE	DESIGN UNITS	THIRD ANGLE PROJECTION														
	$\nabla = 0$ $\sphericalangle = 0$	<table border="1"> <thead> <tr> <th></th> <th>mm</th> <th>INCH</th> </tr> </thead> <tbody> <tr> <td>4 PLACES</td> <td>±---</td> <td>±---</td> </tr> <tr> <td>3 PLACES</td> <td>±---</td> <td>±.005</td> </tr> <tr> <td>2 PLACES</td> <td>±0.13</td> <td>±.010</td> </tr> <tr> <td>1 PLACE</td> <td>±0.25</td> <td>±.020</td> </tr> </tbody> </table>		mm	INCH		4 PLACES	±---	±---	3 PLACES	±---	±.005	2 PLACES	±0.13	±.010	1 PLACE	±0.25	±.020	IN/MM	1:1
		mm	INCH																	
	4 PLACES	±---	±---																	
3 PLACES	±---	±.005																		
2 PLACES	±0.13	±.010																		
1 PLACE	±0.25	±.020																		
DESCRIPTION	<table border="1"> <tr> <td>DRAWN BY</td> <td>DATE</td> <td>TITLE</td> </tr> <tr> <td>-----</td> <td>----</td> <td>MINI-CHANGE RECEPTACLE 3 POLE MALE 1/2 NPT IEC CODE</td> </tr> <tr> <td>CHECKED BY</td> <td>DATE</td> <td></td> </tr> <tr> <td>TW</td> <td>2010/01/08</td> <td></td> </tr> <tr> <td>APPROVED BY</td> <td>DATE</td> <td></td> </tr> <tr> <td>JFMURPHY</td> <td>2010/01/14</td> <td></td> </tr> </table>	DRAWN BY	DATE	TITLE	-----	----	MINI-CHANGE RECEPTACLE 3 POLE MALE 1/2 NPT IEC CODE	CHECKED BY	DATE		TW	2010/01/08		APPROVED BY	DATE		JFMURPHY	2010/01/14		MOLEX INCORPORATED
DRAWN BY	DATE	TITLE																		
-----	----	MINI-CHANGE RECEPTACLE 3 POLE MALE 1/2 NPT IEC CODE																		
CHECKED BY	DATE																			
TW	2010/01/08																			
APPROVED BY	DATE																			
JFMURPHY	2010/01/14																			
REV	MATERIAL NO. SEE CHART	DOCUMENT NO. SD-130013-023	SHEET NO. 1 OF 1																	

DRAFT WHERE APPLICABLE MUST REMAIN WITHIN DIMENSIONS

SIZE C

THIS DRAWING CONTAINS INFORMATION THAT IS PROPRIETARY TO MOLEX INCORPORATED AND SHOULD NOT BE USED WITHOUT WRITTEN PERMISSION