

Tous droits strictement réservés. Reproduction ou communication à des tiers interdite sous quelque forme que ce soit sans autorisation écrite du propriétaire de c FCI. Droits de reproduction FCI.

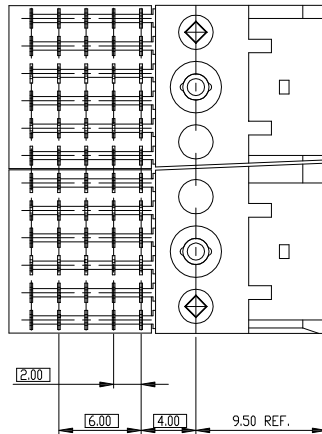
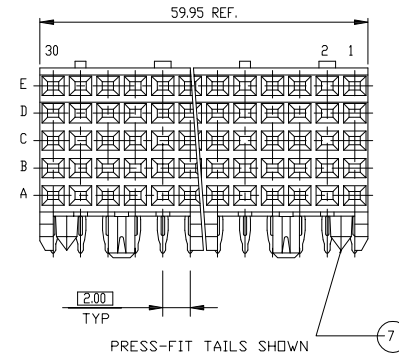
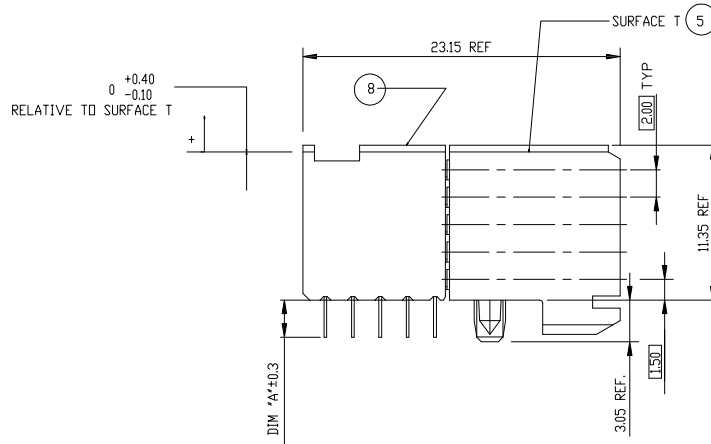


All rights strictly reserved. Reproduction or issue to third parties in any form whatever is not permitted without written authority from the proprietor. Property of FCI. Copyright FCI.

PRODUCT NUMBER	PEG TYPE	TAIL TYPE	TAIL LGTH. DIM "A"	PCB THICKNESS±0.20	LOADING CONFIGURATION
73942-X001 *	PRESS	SOLDER	2.90	1.6	FULLY LOADED
73942-X002 *	PRESS	PRESS-FIT	2.90	1.6	
73942-X003 *	PRESS	SOLDER	3.53	2.4	
73942-X004 *	PRESS	PRESS-FIT	3.53	2.4	

PLATING CONTACT AREA:	
DASH NR:	PERFORMANCE LEVEL
-1YY/1YYLF	TELCORDIA CO
-2YY/2YYLF	CUSTOMER SPECIAL
-3YY/3YYLF	CUSTOMER SPECIAL

* SEE NOTE 11 FOR LEAD FREE OPTIONS



mat'l code				tolerances unless otherwise specified			CUSTOMER COPY		FCI	
NOTE 1				X±3			projection		www.fciconnect.com	
ltr	ecn no	dr	date	linear	.XX±.13			title		
H	DG07-0173	Cenh	6/05/07	linear	.XXX±.051			B SERIES R/A SIGNAL RECEPT ASSY, 5 ROW, 5 MOD, PF/STB		
J	DG08-0171	TER	9/1/08	angles	0° ±2°			product family		code
K	DG09-0068	Cenh	06/06/09	dr	M. FETROW	7/17/98		METRAL (tm)		213
E	V03-0721	DAI	08/18/03	chr	C. PENDLETON	7/17/98	MM	size		dwg no
F	V05-1033	JRV	11/15/05	chr	C. PENDLETON	7/17/98	scale	A		73942
G	DG06-0510	Cenh	12/06/06	app	C. PENDLETON	7/17/98	1:1			sheet
sheet index	revision sheet	K	K							1 of 2
		1	2							

cage code
22526

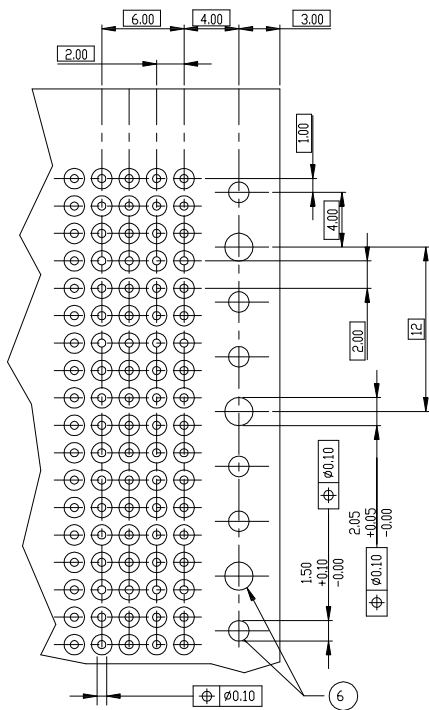
Tous droits strictement réservés. Reproduction ou communication à des tiers interdite sous quelque forme que ce soit sans autorisation écrite du propriétaire. Property of FCI. Droits de reproduction FCI.



All rights strictly reserved. Reproduction or issue to third parties in any form whatever is not permitted without written authority from the proprietor. Property of FCI. Copyright FCI.

TABLE 1	
PLATED THRU HOLE REQUIREMENTS	
HOLE DIAMETER AFTER PLATING	0.65-0.80
DRILLED HOLE	0.81-0.86 (0.85 DRILL)
COPPER PLATING	0.025 - 0.05
SnPb PLATING	0.005-0.015

SEE DRAWING 58351 FOR OTHER OPTIONS



RECOMMENDED PC BOARD LAYOUT, COMPONENT SIDE.

NOTES:

- ① CONNECTOR MATERIALS:
HOUSING: LCP, 30% GLASS FILLED, UL 94-V0 COMPLIANT
TERMINAL: PHOSPHOR BRONZE ALLOY
2. PLATING ON TAIL:
PRESS-FIT TYPE
73942-XYX IS 0.5-1.5um SnPb
73942-XYLF IS 0.5-1.5um Sn (LEAD FREE)
SOLDER-TO-BOARD TYPE
73942-XYX IS 2-8um SnPb
73942-XYLF IS 2-8um Sn (LEAD FREE)
3. PRODUCT SPECIFICATION:
GS-12-002
4. APPLICATION SPECIFICATIONS:
BUS-20-061
GS-20-001
TA-941
- ⑤ PRODUCT MARKING: (PART NUMBER & LOT CODE).
- ⑥ INDICATED HOLES ARE UNPLATED.
- ⑦ DIAMOND LOCATION PEG ARE ONLY EXISTED ON THE BOTH SIDES OF PRODUCT
- ⑧ TOP SURFACE OF PRESS BLOCK MAY EXTEND UP TO 0.4MM HIGHER THAN HOUSING. THIS MAY AFFECT THE TAIL LENGTH BEFORE APPLICATION TO A BOARD.
- ⑨ DIMENSION APPLIES TO BOTH PRESS-FIT AND SOLDER TAIL TERMINATIONS.
10. THESE PRODUCTS WHERE THE PART NUMBER ENDS IN "LF" MEET THE EUROPEAN UNION DIRECTIVES AND OTHER COUNTRY REGULATIONS AS DESCRIBED IN GS-22-008.

ALL PRODUCTS MANUFACTURED BEFORE APRIL 2006 WILL WITHSTAND EXPOSURE TO 240°C FOR 60 SECONDS IN A CONVECTION, INFAR-RED OR VAPOR PHASE REFLOW OVEN.

ALL PRODUCTS MANUFACTURED AFTER MARCH 2006 WILL WITHSTAND EXPOSURE TO 260°C FOR 60 SECONDS IN A CONVECTION, INFAR-RED OR VAPOR PHASE REFLOW OVEN.
- ⑪ FOR LEAD FREE PART NUMBERS ADD "LF" SUFFIX. EXAMPLE: 73942-XYXYLF.

mat'l. code		tolerances unless otherwise specified		CUSTOMER COPY	 www.fciconnect.com
NOTE 1		X±3		projection	
ltr	ecn no	dr	date	linear	title
K				.XX±13	B SERIES R/A SIGNAL RECEPT ASSY,
				.XXX±0.01	5 ROW, 5 MOD, PF/STB
				angles	0° ±2°
		dr	J.R. VOLSTORF 11/15/05	MM	product family METRAL (tm)
		eng	J.R. VOLSTORF 11/15/05	scale	code
		chr	J.R. VOLSTORF 11/15/05	1:1	213
		app	J.R. VOLSTORF 11/15/05	A	sheet
sheet index	revision sheet				2 of -