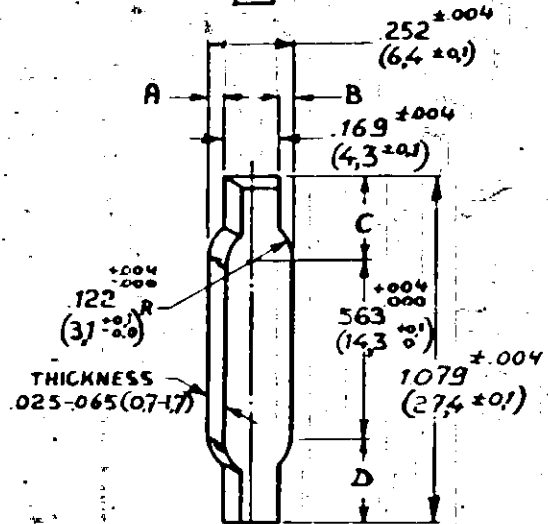
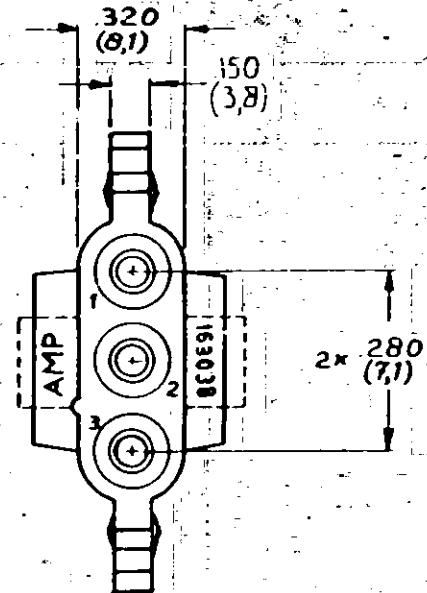
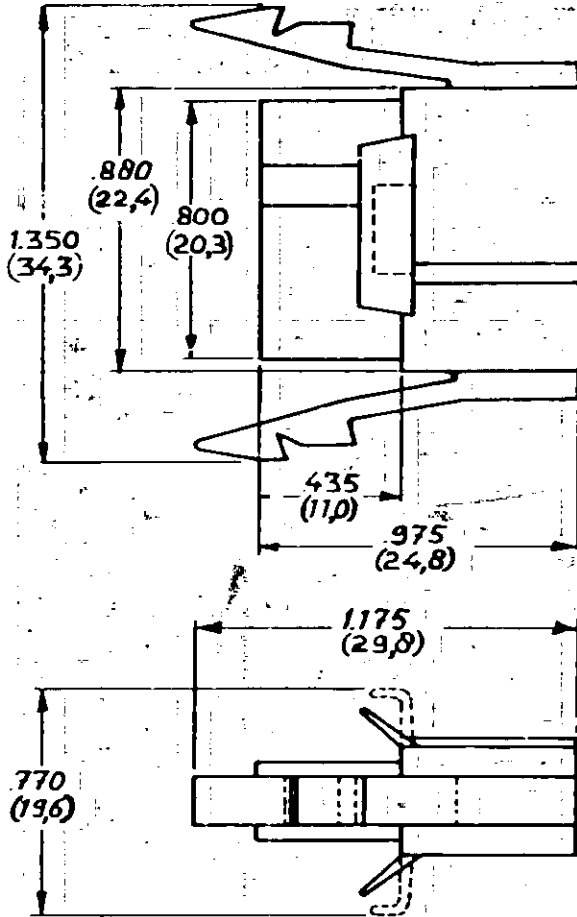


DRAWING MADE IN AMERICAN PROJECTION

NUMBER C-163038



ANTI-RATTLE WINGS AND LOCKING BARBS CAN BE DIFFERENT OF APPEARANCE.

PANEL CUT-OUT

DIMENSIONS A B B AND C & D TO BE EQUAL WITHIN (0.2) 0.08 THE PANEL MUST BE PUNCHED SO THAT THE HOUSING ENTERS THE PANEL IN THE SAME DIRECTION AS THE PUNCH.

1-163038-9	BLACK	
1-163038-8	GREY	
1-163038-7	VIOLET	
1-163038-6	BLUE	
1-163038-5	GREEN	
1-163038-4	YELLOW	
1-163038-3	ORANGE	
1-163038-2	RED	
1-163038-1	BROWN	
1-163038-0	NATURAL	

CUSTOMER COPY FOR REFERENCE ONLY

©1980 BY AMP-HOLLAND N.V. ALL RIGHTS RESERVED A-MP PRODUCTS COVERED BY PATENTS AND/OR PATENTS PENDING.



AMP-HOLLAND N.V.
's-Hertogenbosch

ORDER NO.	MATERIAL	PLATING
-----------	----------	---------

MATERIAL ZYTEL 101	INSUL. RANGE	FIRST USED
-----------------------	--------------	------------

SCALE 2:1	SIZE A	NO C-163038
--------------	-----------	----------------

PAGE 1 OF 4	REV C
-------------	----------

DR R. Visser	DATE 11.6.73	DATE
-----------------	-----------------	------

NAME
3-CIRCUIT SOCKET HOUSING MATE-N-LOK

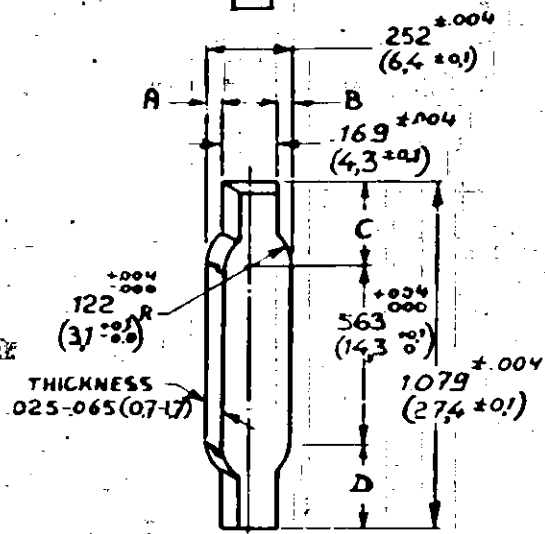
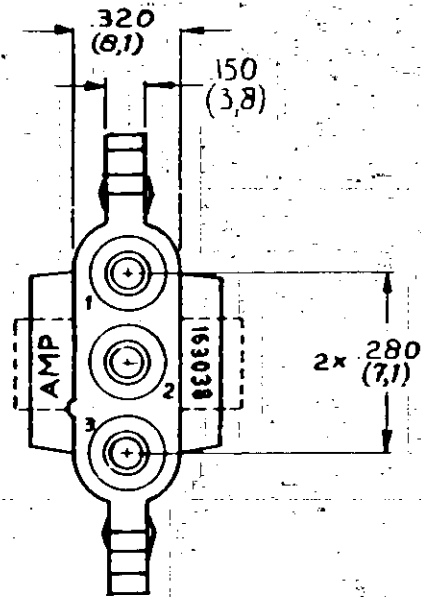
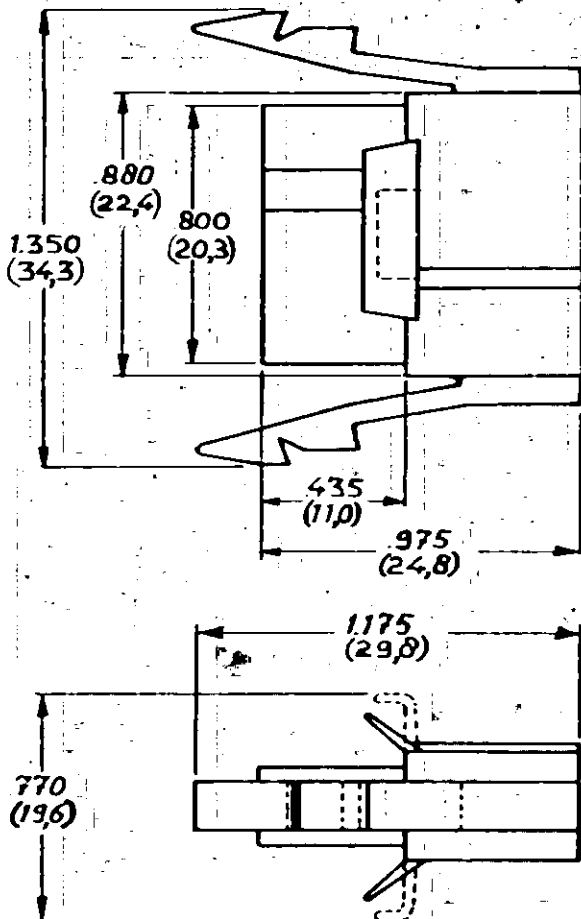
CHK E. Tilburg	DATE 26.6.75	DATE 27.8.73
-------------------	-----------------	-----------------

INCHES DIMENSIONS IN () DO NOT SCALE PRINT

AMP 1233-11

DRAWING MADE IN AMERICAN PROJECTION

NUMBER C-163038



PANEL CUT-OUT

ANTI-RATTLE WINGS AND LOCKING BARBS CAN BE DIFFERENT OF APPEARANCE.

DIMENSIONS ABB AND CBD TO BE EQUAL WITHIN (02) 00B THE PANEL MUST BE PUNCHED SO THAT THE HOUSING ENTERS THE PANEL IN THE SAME DIRECTION AS THE PUNCH.

CUSTOMER COPY FOR REFERENCE ONLY

2-163038-9	BLACK	
2-163038-8	GREY	
2-163038-7	VIOLET	
2-163038-6	BLUE	
2-163038-5	GREEN	
2-163038-4	YELLOW	
2-163038-3	ORANGE	
2-163038-2	RED	
2-163038-1	BROWN	
2-163038-0	NATURAL	

©1980 BY AMP HOLLAND N.V. ALL RIGHTS RESERVED A.M.P. PRODUCTS COVERED BY PATENTS AND OR PATENTS PENDING.



AMP - HOLLAND N.V.
's-Hertogenbosch

MAT. ZYTEL FE 3016	INS. JL. RANGE	FIRST USED
--------------------	----------------	------------

ORDER NO	MATERIAL	PLATING
----------	----------	---------

SCALE 2:1	SIZE A	NO C-163038	PAGE 2 OF 4	REV C
-----------	--------	-------------	-------------	-------

DR R. Visser	DATE 26.6.73	DATE
CHK C. Tilburg	DATE 26.6.73	DATE 27.5.73

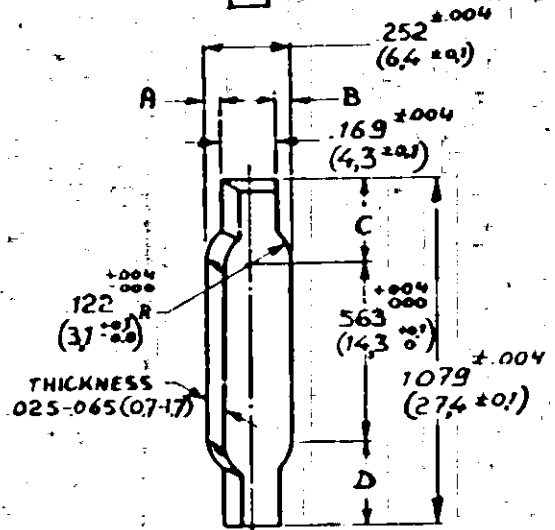
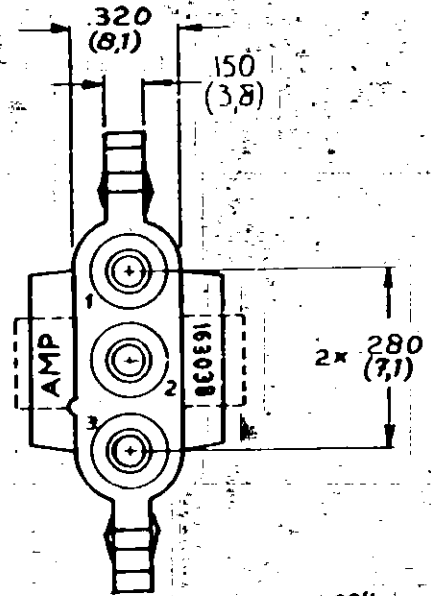
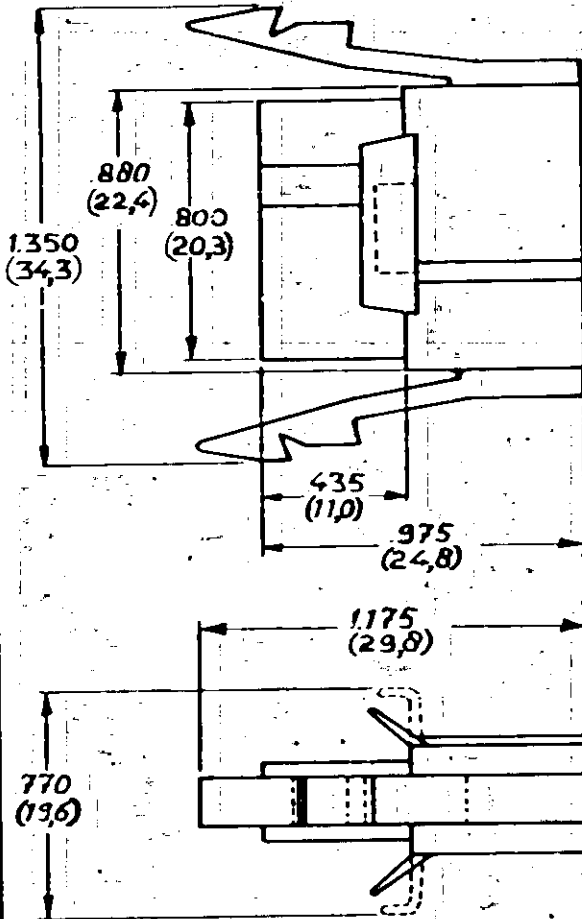
3-CIRCUIT SOCKET HOUSING MATE-N-LOK

AMP 12624

DIMENSIONS IN () INCHES DO NOT SCALE PRINT

DRAWING MADE IN AMERICAN PROJECTION

NUMBER C-163038



ANTI-RATTLE WINGS AND LOCKING BARBS CAN BE DIFFERENT OF APPEARANCE

PANEL CUT-OUT

DIMENSIONS ABB AND CBD TO BE EQUAL WITHIN (02) 008 THE PANEL MUST BE PUNCHED SO THAT THE HOUSING ENTERS THE PANEL IN THE SAME DIRECTION AS THE PUNCH.

DIMENSIONS IN (IN) DO NOT SCALE PRINT

CUSTOMER COPY FOR REFERENCE ONLY

©1980 BY AMP HOLLAND N.V. ALL RIGHTS RESERVED A-MP PRODUCTS COVERED BY PATENTS AND/OR PATENTS PENDING



AMP - HOLLAND N.V.
's-Hertogenbosch

3-163038-0	NATURAL	
ORDER NO	MATERIAL	PLATING

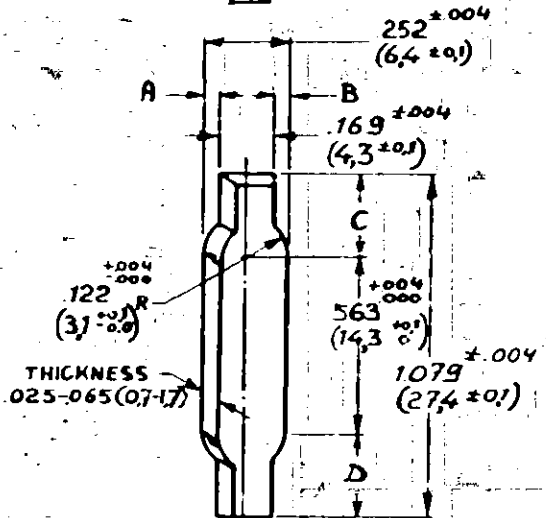
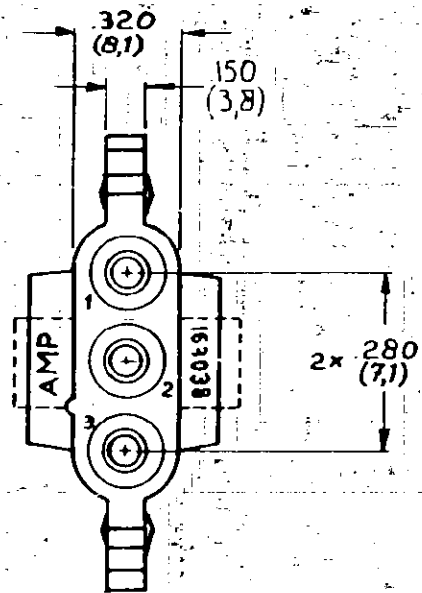
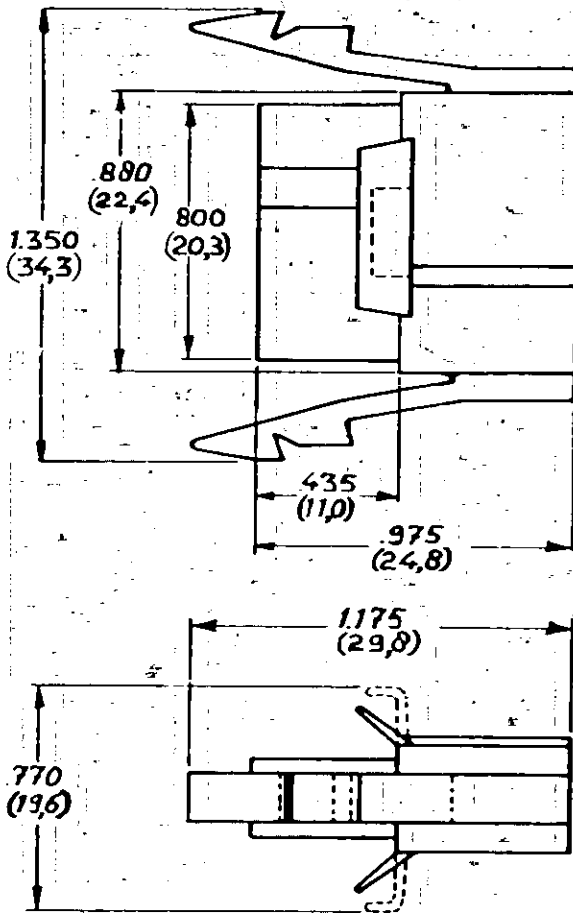
MATERIAL TECHNYL-RI0	INS'UL RANGE	FIRST USED
SCALE 2:1	SIZE A	NO C-163038
PAGE 3 OF 4		REV C

OR R. J. J. S. DATE 26-73
CHK C. T. J. DATE 26-73

NAME 3-CIRCUIT SOCKET HOUSING MATE-N-LOK

DRAWING MADE IN AMERICAN PROJECTION

NUMBER C-163038



PANEL CUT-OUT

ANTI-RATTLE WINGS AND LOCKING BARBS CAN BE DIFFERENT OF APPEARANCE

DIMENSIONS ABB AND CBD TO BE EQUAL WITHIN (02) 008 THE PANEL MUST BE PUNCHED SO THAT THE HOUSING ENTERS THE PANEL IN THE SAME DIRECTION AS THE PUNCH.

4-163038-9	BLACK	
4-163038-8	GREY	
4-163038-7	VIOLET	
4-163038-6	BLUE	
4-163038-5	GREEN	
4-163038-4	YELLOW	
4-163038-3	ORANGE	
4-163038-2	RED	
4-163038-1	BROWN	
4-163038-0	NATURAL	

CUSTOMER COPY FOR REFERENCE ONLY

©1980 BY AMP-HOLLAND N.V. ALL RIGHTS RESERVED A-MP PRODUCTS COVERED BY PATENTS AND/OR PATENTS PENDING.



AMP-HOLLAND N.V.
 's-Hertogenbosch

MATERIAL: DURETHAN KL1-2208 FIRST USED

INCHES DO NOT SCALE PRINT

ORDER NO	MATERIAL	PLATING	SCALE	SIZE	NO	REV
DR R. Visser	DATE 26.6.73	DATE	2:1	A	C-163038	PAGE 4 OF 4
CHK C. Tilburg	DATE 26.6.75	DATE 27.5.73	NAME 3-CIRCUIT SOCKET HOUSING MATE-N-LOK			

AMP 1282-M