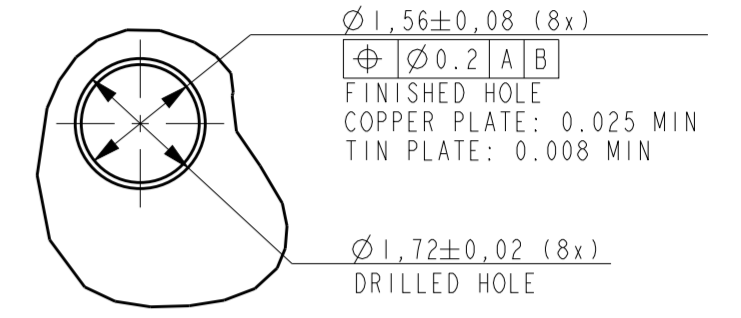
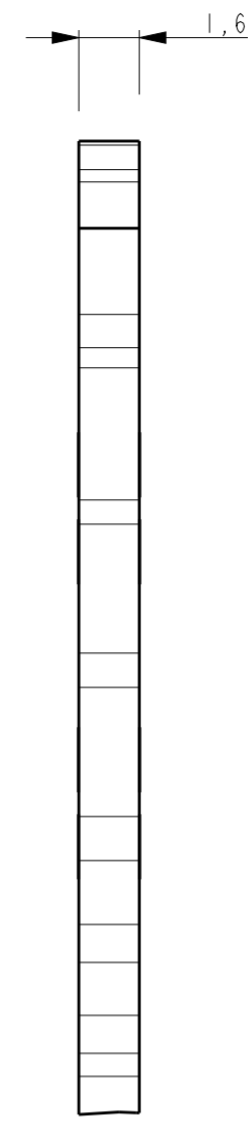
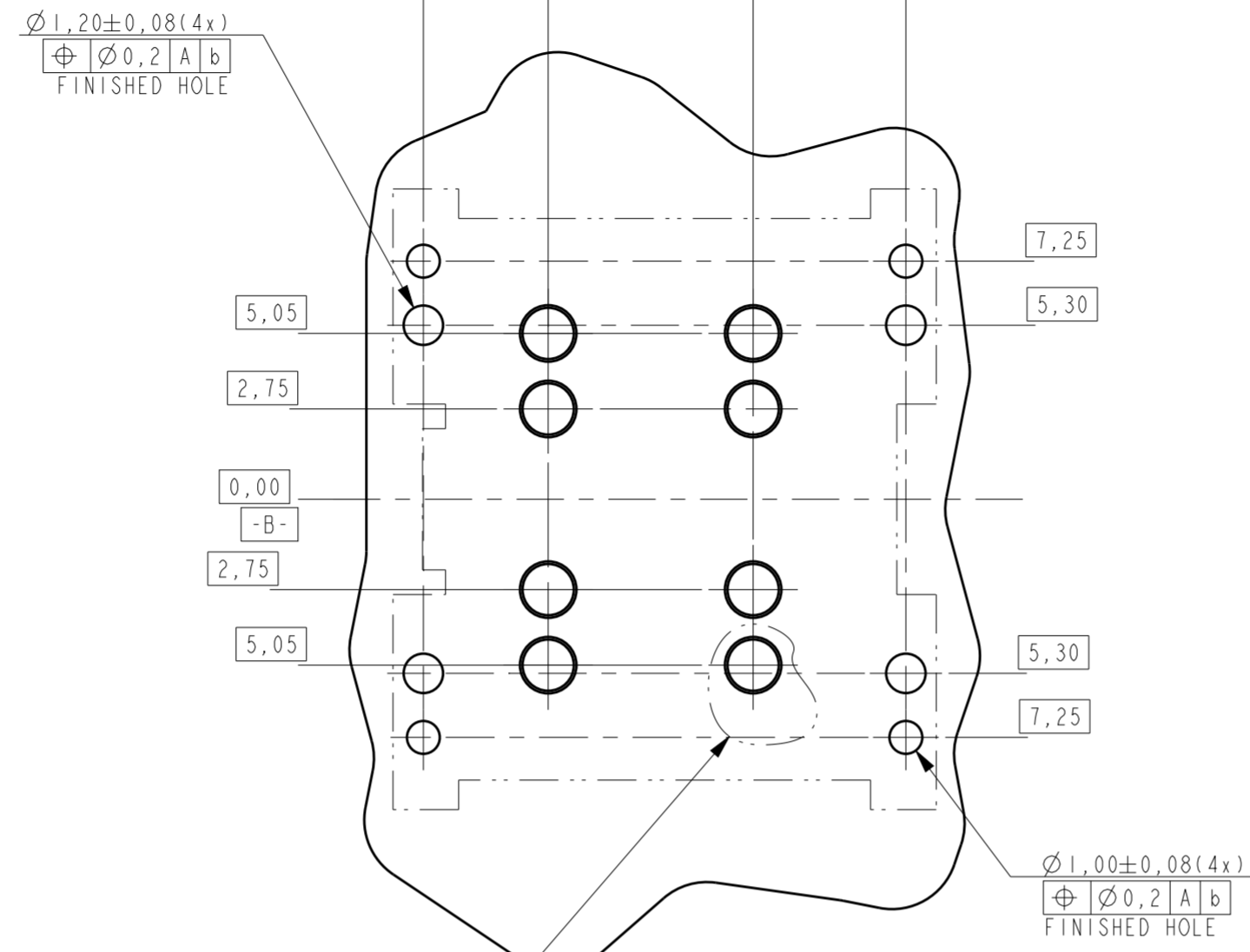
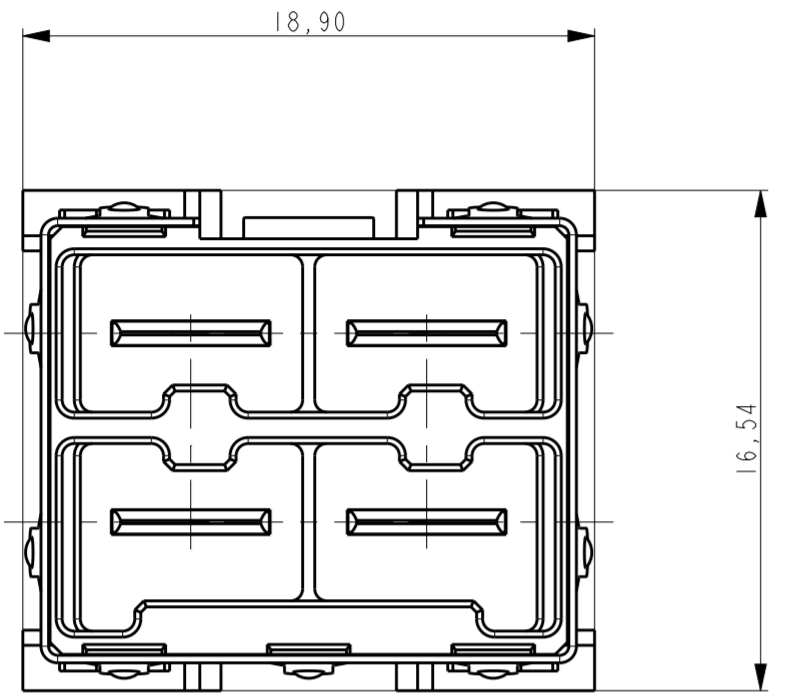


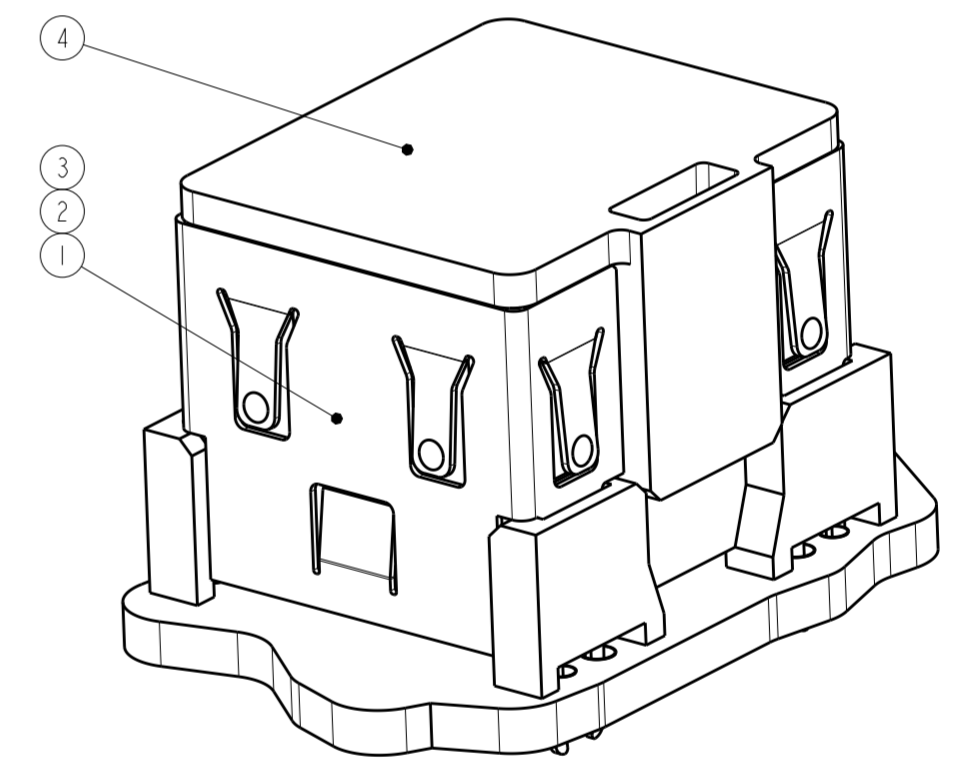
THIS DRAWING IS UNPUBLISHED. RELEASED FOR PUBLICATION
 © COPYRIGHT - BY TYCO ELECTRONICS CORPORATION ALL RIGHTS RESERVED.

| LOC | DIST | REVISIONS | | | |
|-----|------|-------------|----------------------------|-----------|----------|
| P | LTR | DESCRIPTION | DATE | DWN | APVD |
| H | - | A | RELEASED PER ECR-12-015155 | 31OCT2012 | JvdH TdB |
| | | AI | REV PER ECR-16-010984 | 01AUG2016 | OL SZ |
| | | B | REV PER ECO-16-014060 | 30DEC2016 | WY SZ |

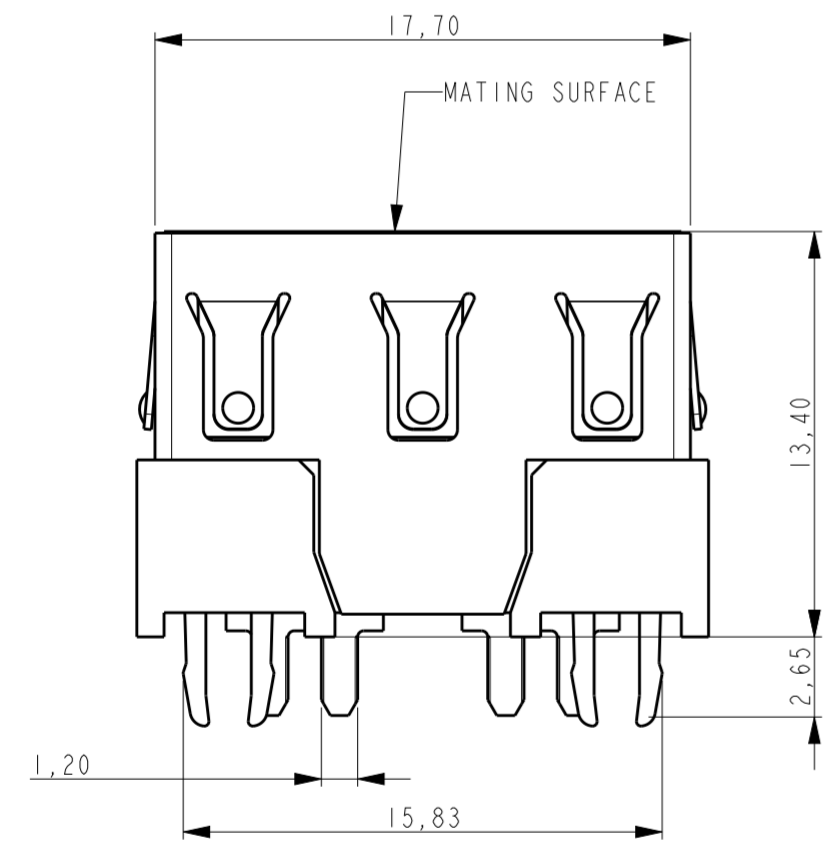


SOLDER TERMINATION AREA FOR POWER AND SHIELDING CONTACTS RECOMMENDED PRINTED CIRCUIT HOLE
 DETAIL A
 SCALE 10:1

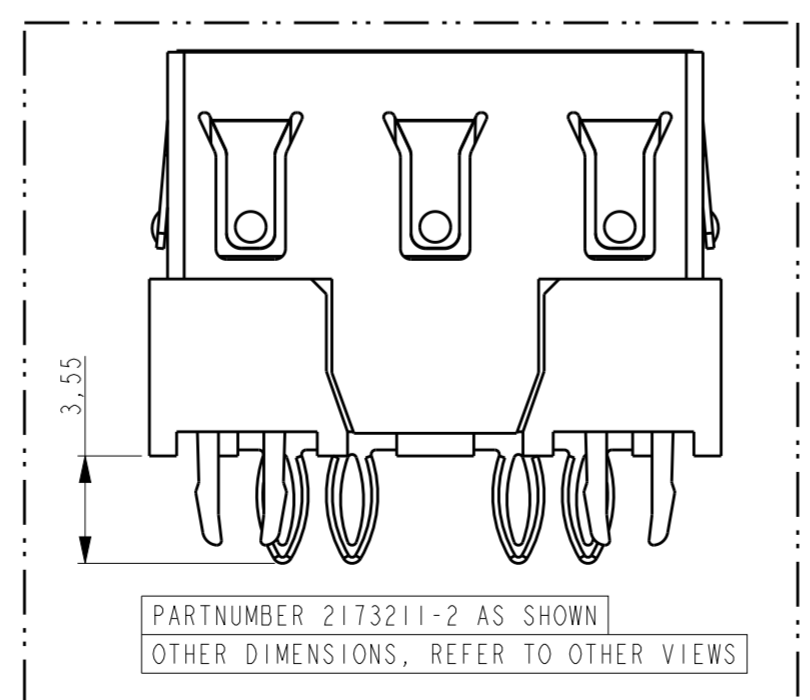
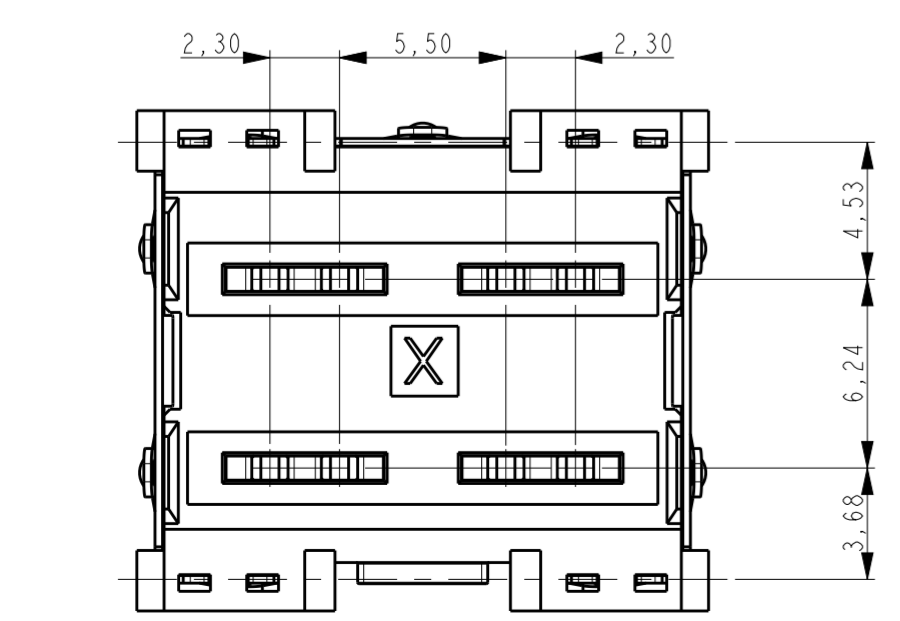
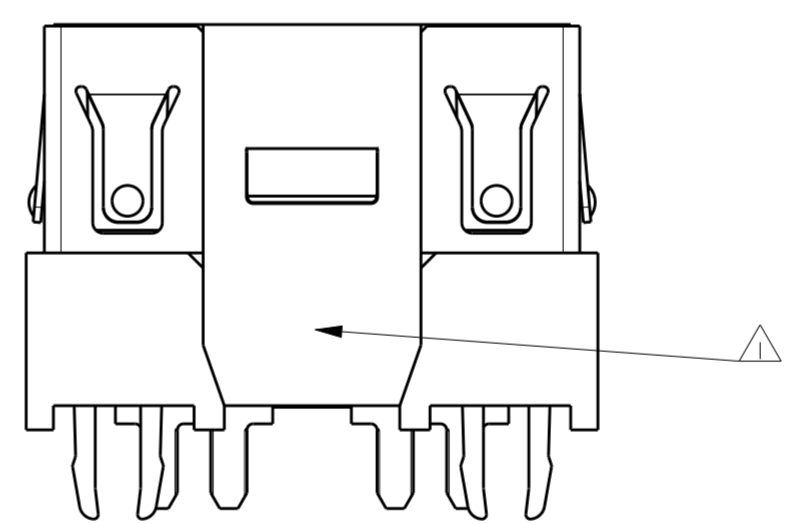
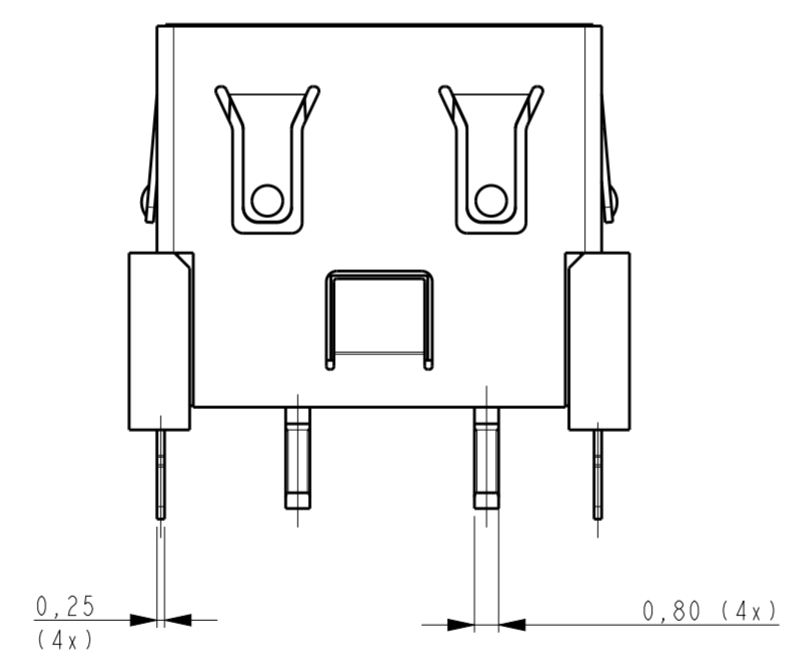
NOTES:
 △ PRINTING PARTNUMBER AND DATE CODE:
 2173211-x(x=1,2,3...)
 YYWW



SCALE 4:1
 PARTNUMBER 2173211-1 AS SHOWN



SEE DETAIL A RECOMMENDED PCB LAY-OUT (MOUNTING SIDE)



| QTY | DESCRIPTION | MATERIAL | FINISH | ITEM NO. |
|-----|---------------------------------------|----------------|-------------------------|----------|
| - | 1 PICK&PLACE ADAPTOR / PROTECTION CAP | POLYAMIDE | NOT APPLICABLE | 4 |
| 1 | 1 SHIELD | COPPER ALLOY | PLATING: Sn OVER Ni | 3 |
| 4 | - CONTACT POWER TAB, PRESS FIT | COPPER ALLOY | 3,0 µm Ag MIN ALL OVER. | 2 |
| - | 4 CONTACT POWER TAB, SOLDER | COPPER ALLOY | 3,0 µm Ag MIN ALL OVER. | 2 |
| 1 | 1 HOUSING | LCP GF UL94V-0 | NOT APPLICABLE | 1 |
| -2 | -1 | | | |

THIS DRAWING IS A CONTROLLED DOCUMENT.

| | | | |
|-------------|--|------------------|------------|
| DIMENSIONS: | TOLERANCES UNLESS OTHERWISE SPECIFIED: | DWN | 2 FEB 2012 |
| mm | 0 PLC ±0,2 | CHK | J. Smits |
| | 1 PLC ±0,1 | CHK | B. Mooij |
| | 2 PLC ±0,1 | APVD | T. D. BOER |
| | 3 PLC ±0,1 | PRODUCT SPEC | 108-19429 |
| | 4 PLC ± | APPLICATION SPEC | 114-32039 |
| MATERIAL | FINISH | WEIGHT | |

CUSTOMER DRAWING

SCALE 3:1 SHEET 1 OF 1 REV B

STE TE Connectivity
 ELCON Mini, 4-position vertical header, unshielded