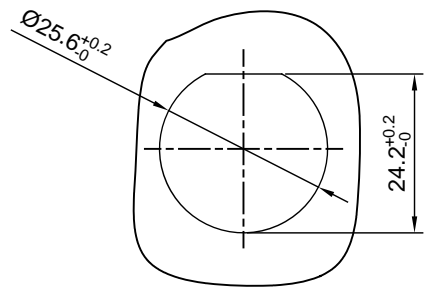
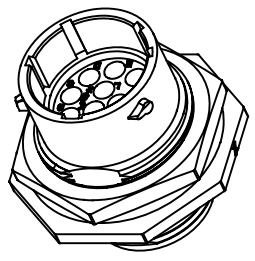
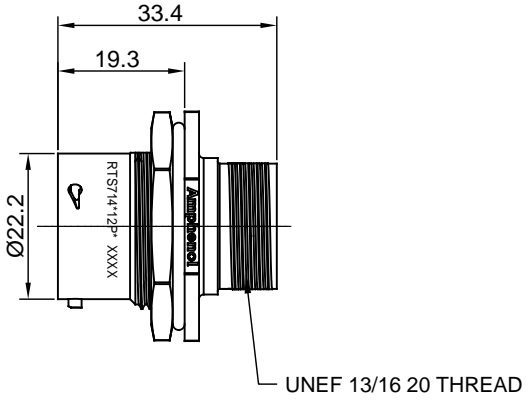
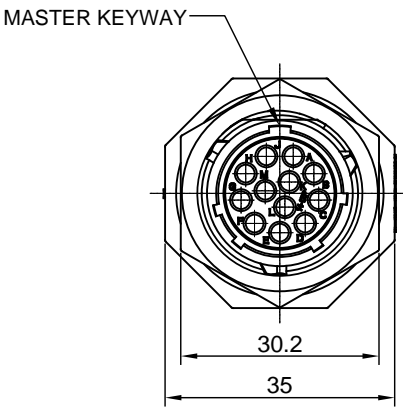


| REVISIONS |     |                  |           |      |       |
|-----------|-----|------------------|-----------|------|-------|
| REV       | ECO | DESCRIPTION      | DATE      | BY   | APPR  |
| A1        | --  | RELEASED DRAWING | MAY-09-16 | JONY | TOMMY |



PANEL CUTOUT REFERENCE THICKNESS:3.2MM (MAX)

NOTES : (UNLESS OTHERWISE SPECIFIED)

- MATERIAL :  
SHELL : THERMOPLASTIC , UL94 V-0.  
INSERT : THERMOPLASTIC , UL94 V-0.  
O-RING : NBR OR SR.  
SEAL GASKET : NBR OR SR.  
JAM NUT : AL ALLOY , BLACK ANODIZING.
- SPECIFICATIONS :  
2.1 RATED CURRENT : 13A (MAX).  
2.2 RATED VOLTAGE : 500V(AC/DC).  
2.3 OPERATING TEMPERATURE : SEE CHART.  
2.4 DIELECTRIC WITHSTANDING VOLTAGE : LESS THAN 2 MILLIAMPS CURRENT LEAKAGE@2000 VOLTS AC.  
2.5 INSULATION RESISTANCE : 5000 MEGOHMS MIN.  
2.6 IP CLASS : IP67.  
2.7 MATING CYCLES DURABILITY : 500 CYCLES MIN.  
2.8 RoHS COMPLIANT.
- SUITABLE CONTACTS : 16# CONTACTS.
- ALL DIMENSIONS ARE FOR REFERENCE USE ONLY.

| KEY | PART NUMBER   |               |
|-----|---------------|---------------|
|     | -40°C ~ 105°C | -40°C ~ 125°C |
| N   | RTS714N12P    | RTS714N12P03  |

| QUANTITY  | PART NUMBER | DESCRIPTION   | ITEM                   |
|---|-------------|---|------------------------|
| <b>MATERIALS LIST</b>   |             |   |                        |
| UNLESS OTHERWISE SPECIFIED<br>1) All dimensions are in metric(mm).<br>2) Tolerances are as follows:<br>1 PL DEC ±0.30   Fractions ±1/64<br>2 PL DEC ±0.15   Angles ±1°<br>3 PL DEC ±0.08<br>3) Note reference = |             | SIGNATURES<br>DRAWN: JONY<br>CHECKED:<br>ENGINEER:<br>APPROVAL:   | DATE<br>MAY-09-16      |
| MATERIAL SPECIFICATIONS:  |             | <b>Amphenol</b><br>Sine Systems - www.amphenol-sine.com<br>44724 Morley Drive<br>Clinton Township, MI 48036 |                        |
| PROCESS SPECIFICATIONS:   |             | ECO-MATE,RECEPTACLE, JAM NUT,<br>SIZE 14,12POS,PIN  |                        |
| NEXT ASSY:  |             | SIZE<br>B C-  | DWG NO:<br>RTS714*12P* |
|   |             | SCALE:<br>NONE  | REVISION<br>A1         |
|   |             |   | SHEET 1 OF 1           |

TITLE: ECO-MATE,RECEPTACLE,JAM NUT,SIZE 14,12POS,PIN  
DWG NO: RTS714\*12P\*  
REV: A1  
SH: 1  
OF: 1