

SPECIFICATIONS

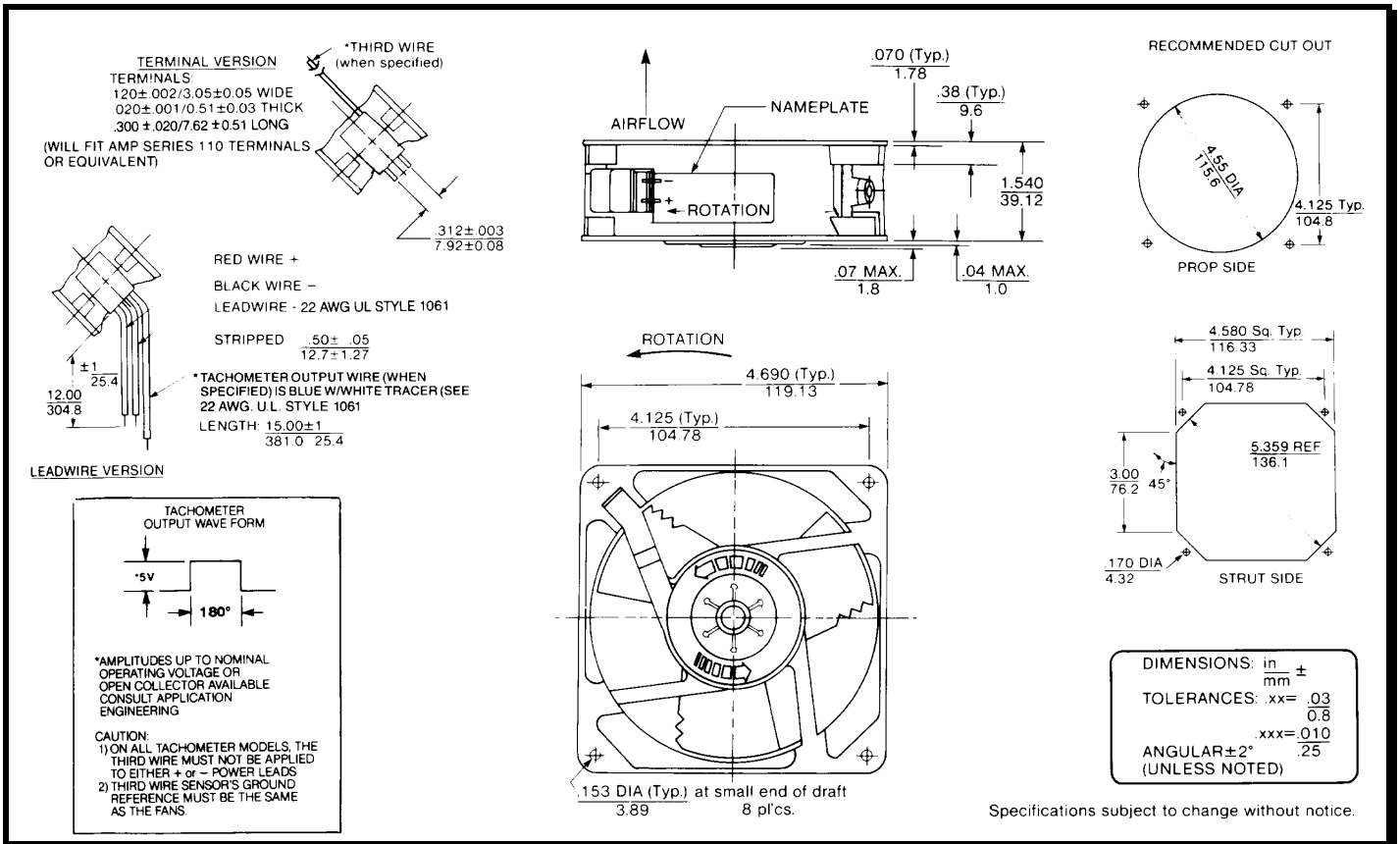
(RoHS Compliant)



Model Number: MD12B5
Part Number: 19028885A
Drawing Number: 26021749A00

January 25 2013

Mechanical Drawing:



Mechanical Drawing:

Motor:

Nominal Voltage = 12 vdc
 Operating Voltage Range = 6 - 14vdc
 Nominal Running Current = 0.500 amps
 Locked Rotor Current = 1.500 amps
 Running Power = 6.0 watts
 Average Speed = 3100 rpm
 Bearings = Ball
 Air Flow (see curve attached) = 110 CFM

Construction:

Venturi: Die-Cast Zinc Alloy, Black
 Propeller: Polypropylene, Black, UL94V-0

Life Expectancy:

This fan is designed for continuous duty life of 83,000 hours at 40°C.

Additional Features:

Brushless DC Motor
 Electronic Locked Rotor Protected
 Polarity Protected
 Automatic Restart Capability
 Operating Temperature: -10°C to 70°C
 Storage Temperature: -40°C to 85°C

Tachometer:

Output: 5 volt TTL
 I_c: 5 mA Max.
 Isolated: No
 Pulses per Rev.: 1

Termination:

12" Lead wires, 22AWG, UL 1061
 Red - Fan Power, (+)
 Black - Fan Ground, (-)
 Blue/White - Tachometer, (output)