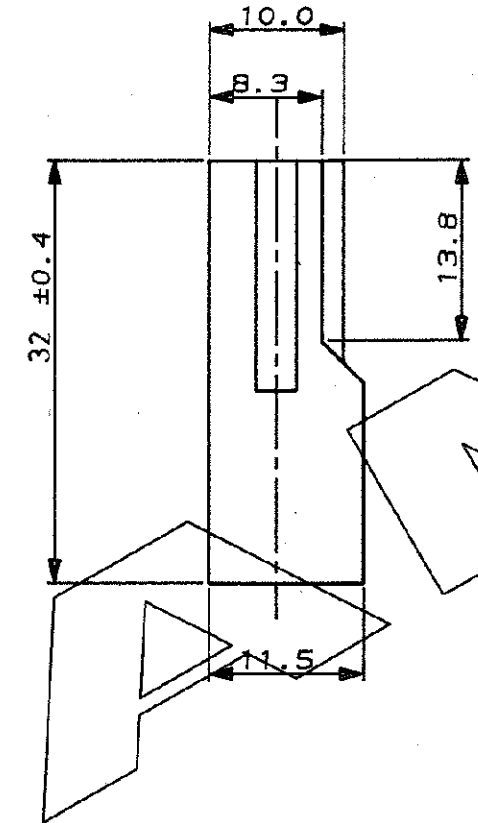
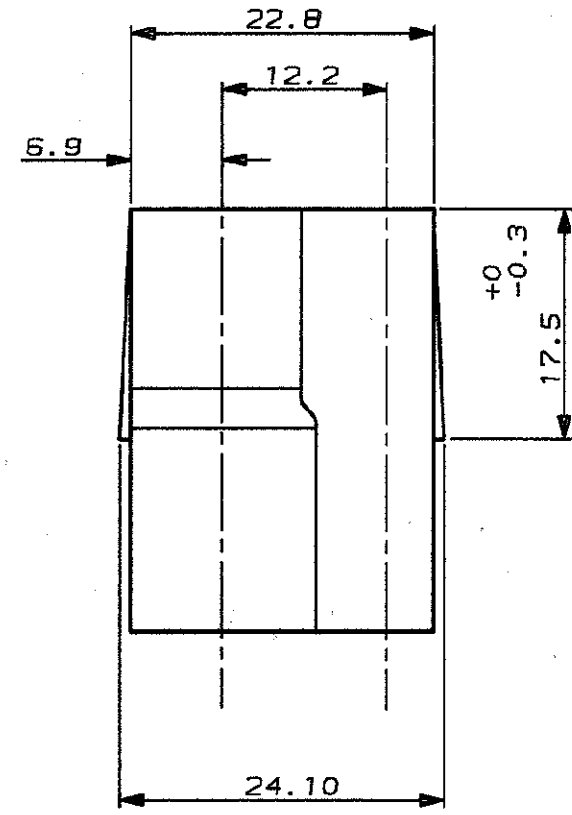


SCALA NON IMPEGNATIVA
(DO NOT SCALE)
DIMENSIONI IN mm
(DIMENSIONS IN mm)

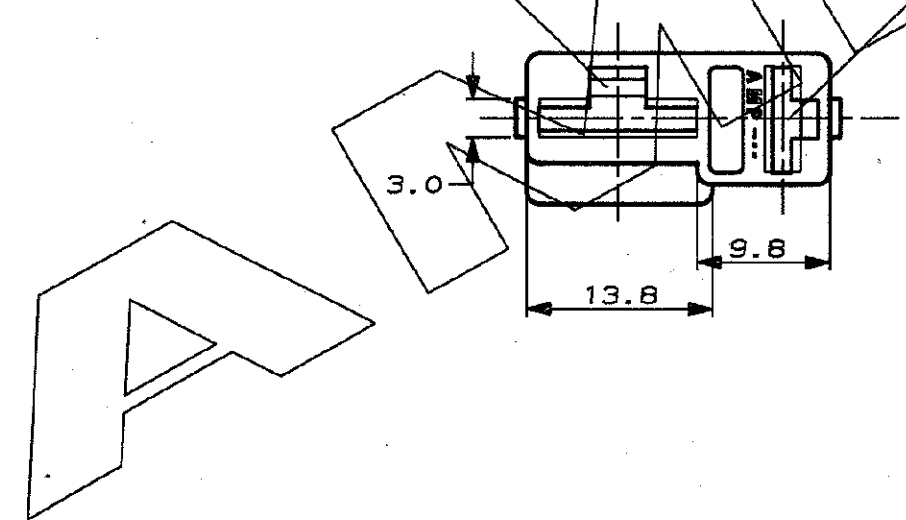
METRIC

PROIEZIONE EUROPEA
(EUROPEAN PROJECTION)



CAVITY SUITABLE FOR
.375 SRS.FASTIN-ON

CAVITY SUITABLE FOR
.250 SRS.FASTIN-ON



1 OBSOLETE PARTS: OBSOLETE CIS STREAMLINING PER D.RENAUD/D.SINISI

OBSOLETE	BLACK	281993-3
	RED	281993-2
	CLEAR	281993-1
FINITURA / COLORE (FINISH / COLOUR)		NUMERO (PART NUMBER)
CUSTOMER DWG. FOR REFERENCE ONLY		DISEGNO PER CLIENTE SOLO PER RIFERIMENTO
THIS DRAWING IS UNPUBLISHED		RELEASE FOR PUBLICATION 19
© COPYRIGHT 19 BY AMP INCORPORATED, HARRISBURG, PA. ALL INTERNATIONAL RIGHTS RESERVED. AMP PRODUCTS MAY BE COVERED BY U.S. AND FOREIGN PATENT AND/OR PATENT PENDING		
TOLLERANZE, SE NON DIVERSAMENTE SPECIFICATO (TOLERANCES, UNLESS OTHERWISE SPECIFIED)	DIAM. ISOLANTE (INS. DIA. RANGE)	RANGO FILI (WIRE RANGE)
± 0.3	-	-
ANGOLI (ANGLES)	SCALA (SCALE)	
± 2°	2:1	
DIS. 15 JUNE 89 (DR.) VERGANO P.	AMP ITALIA S.p.A. Corso P.lli Cerri, 15 COLLEGGIO (TORINO)	
DESCRIZIONE (DESCRIPTION)		
2 WAY FASTIN-ON REC.HOUSING (.250-.375 SRS.)		
A1 REVISED PER ECO-09-026346	CONT. - CORO -	LOC. SIZE NUMERO (CIRCUIT NO.)
A IN PRODUCTION	APP. - CAPP. -	I A3 C-281993
		REV. FOGLIO (SHEET) DI (OF)
		A1 1 DI COP. 1

DISTRIBUZIONE
(PRINT DIST.)