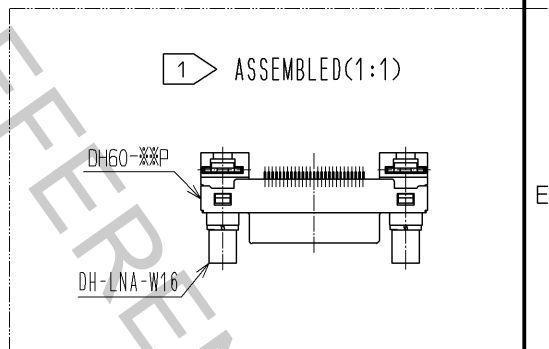


NOTE 1 THIS PRODUCT IS ASSEMBLED TO A "DH60-**P".
 THIS PRODUCT IS USED WHEN A PANEL ISN'T USED.
 2 THIS PRODUCT IS PACKED IN A BAG. (QUANTITY IN A BAG : 200pcs.)



1	STEEL	OVER PLATING : NICKEL 5μm MIN UNDER PLATING : COPPER 1μm MIN	3	STEEL	OVER PLATING : NICKEL 5μm MIN UNDER PLATING : COPPER 1μm MIN		
NO.	MATERIAL	FINISH , REMARKS	NO.	MATERIAL	FINISH , REMARKS		
UNITS mm		SCALE 4 : 1	COUNT 1	DESCRIPTION OF REVISIONS DIS-E-003059	DESIGNED MO. SHIMOYAMA	CHECKED KN. ICHIKAWA	DATE 09.12.07
HIROSE ELECTRIC CO., LTD.		APPROVED : AO. SUZUKI	09.04.27	DRAWING NO.	EDC4-126530-00		
		CHECKED : MO. SHIMOYAMA	09.04.24	PART NO.	DH-LNA-W16		
		DESIGNED : TS. ITO	09.04.24	CODE NO.	CL244-0005-5-00		
		DRAWN : TS. ITO	09.04.24				