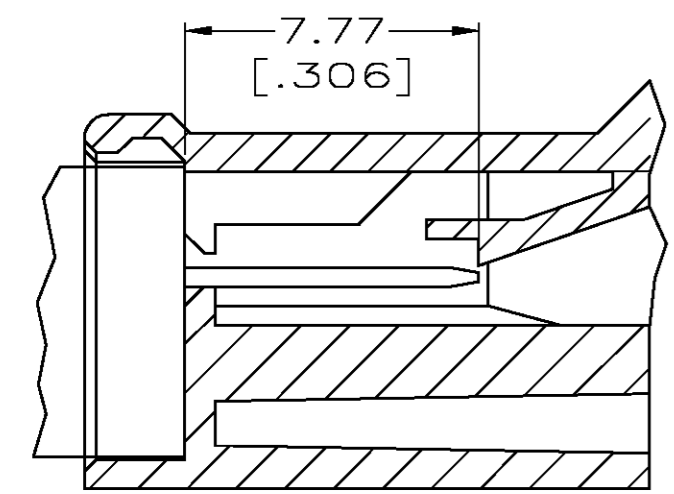
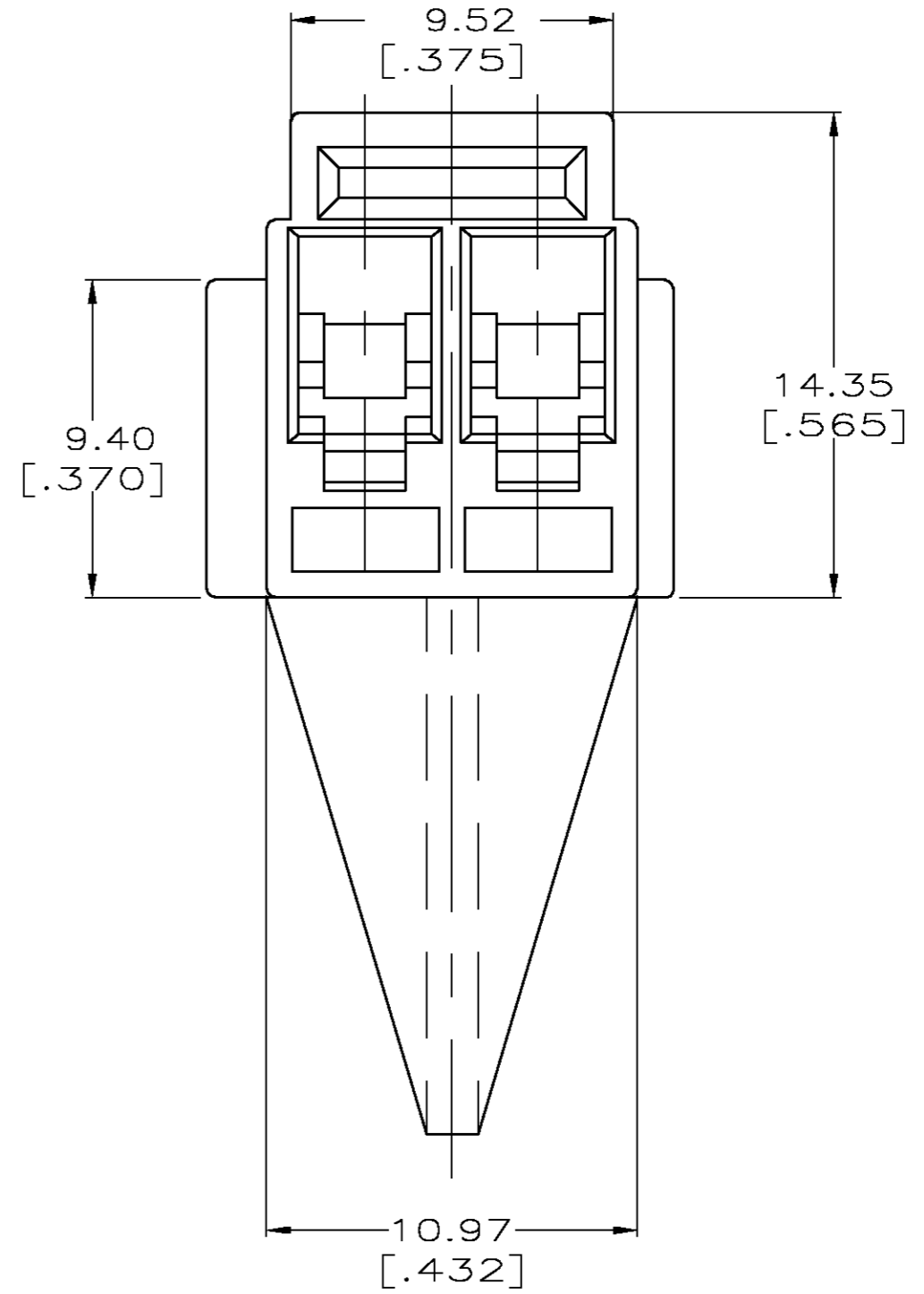
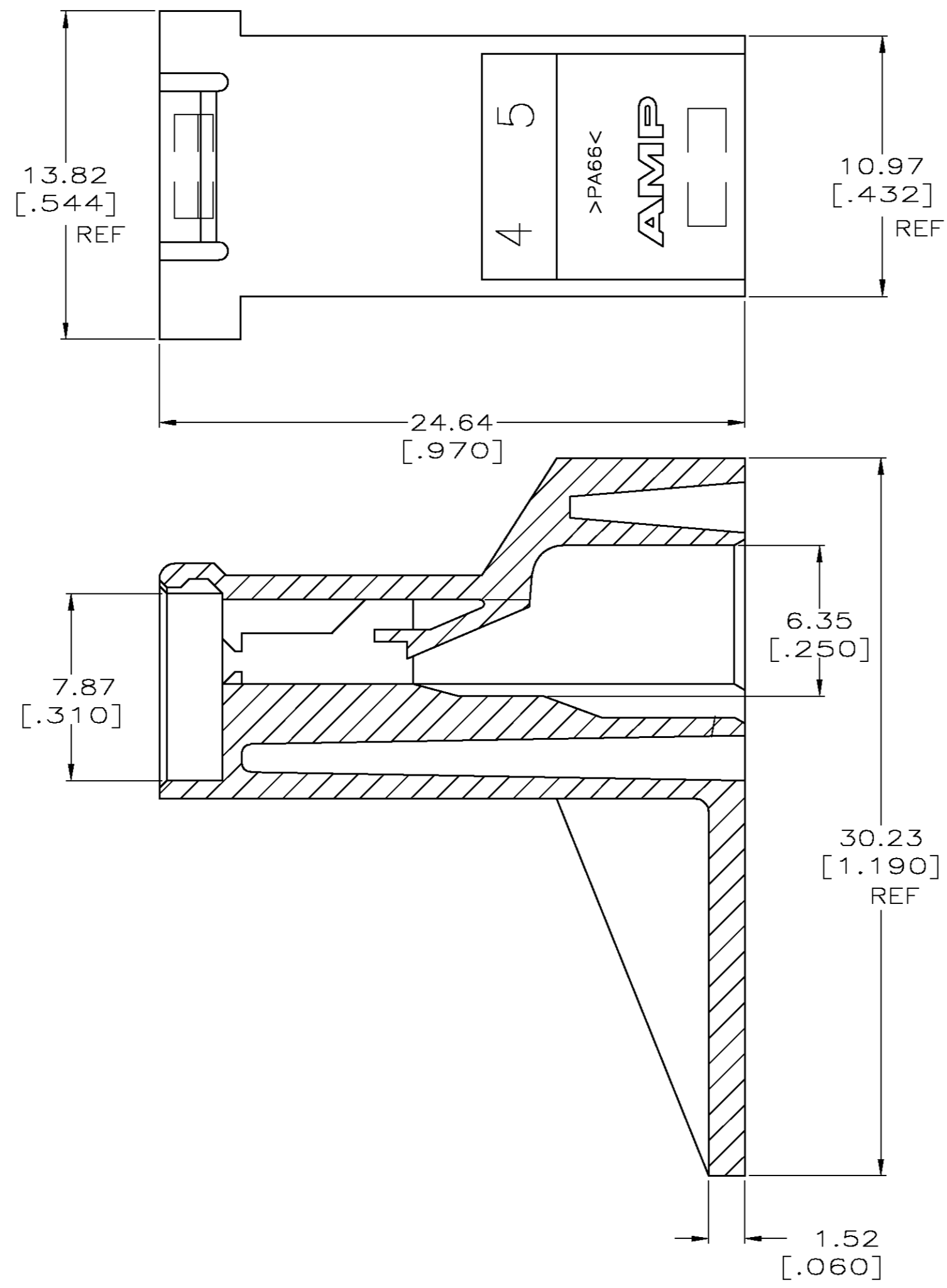
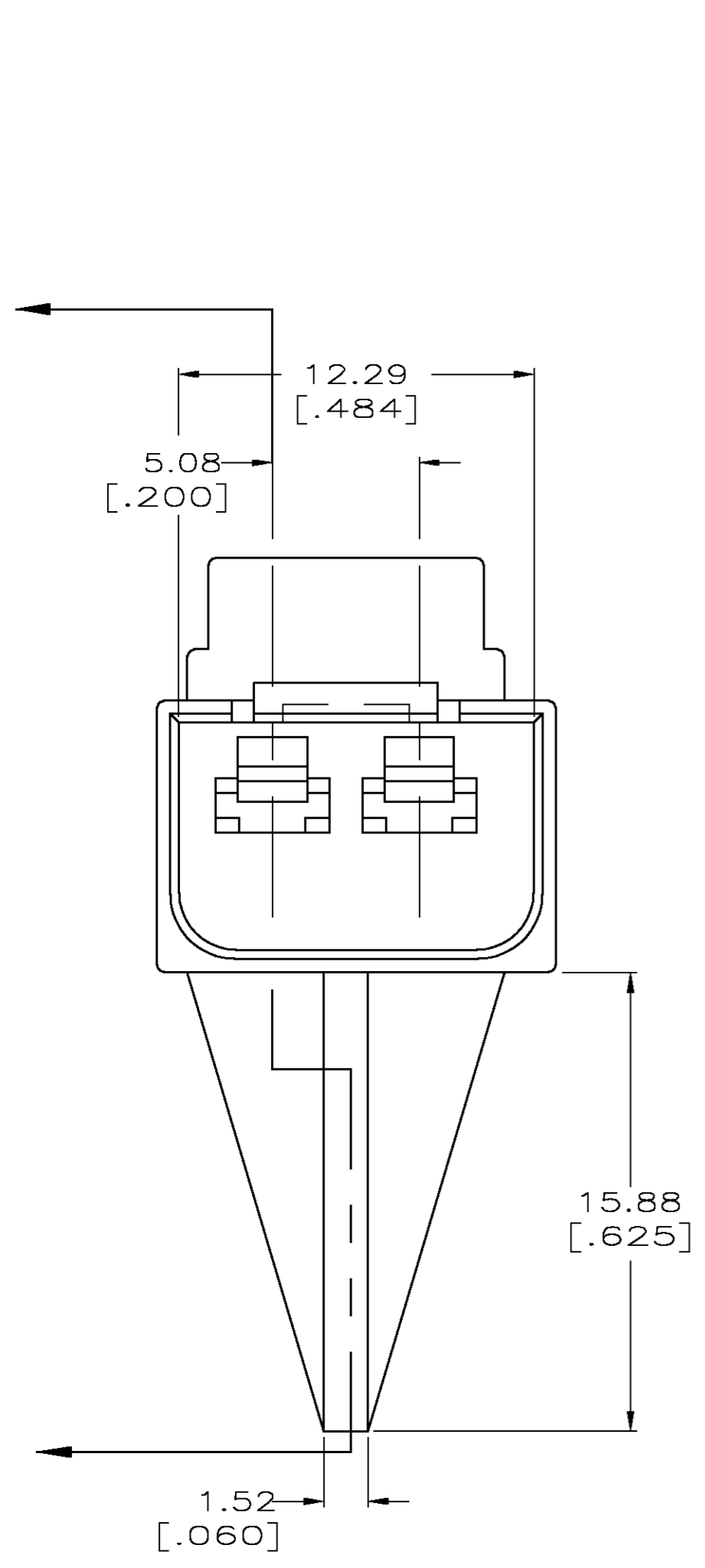


THIS DRAWING IS UNPUBLISHED. RELEASED FOR PUBLICATION
 © COPYRIGHT BY TYCO ELECTRONICS CORPORATION. ALL RIGHTS RESERVED.

LOC		DIST		REVISIONS			
P	LTR	DESCRIPTION		DATE	DWN	APVD	
AF	50	F		REVISED PER OG3A-0971-04	16FEB05	JR	PD

1 HOUSING MAY BE USED WITH TERMINAL NUMBER 1217345 FOR TWO #18 AWG WIRES.



DESIRED TAB LENGTH

521306-1
PART NUMBER

THIS DRAWING IS A CONTROLLED DOCUMENT.		DWN MICHAEL S. FEHER 07OCT2003	Tyco Electronics Corporation Harrisburg, PA 17105-3608														
DIMENSIONS: mm [INCHES]		CHK JEFF R. RUTH 07OCT2003															
TOLERANCES UNLESS OTHERWISE SPECIFIED:		APVD PETE DESANTIS 07OCT2003	NAME HOUSING, RECEPTACLE, FASTON, 2.79 [.110] SERIES														
<table border="0"> <tr><td>0 PLC</td><td>± -</td></tr> <tr><td>1 PLC</td><td>± -</td></tr> <tr><td>2 PLC</td><td>± 0.25 [.010]</td></tr> <tr><td>3 PLC</td><td>± -</td></tr> <tr><td>4 PLC</td><td>± -</td></tr> <tr><td>ANGLES</td><td>± -</td></tr> <tr><td>FINISH</td><td></td></tr> </table>		0 PLC	± -	1 PLC	± -	2 PLC	± 0.25 [.010]	3 PLC	± -	4 PLC	± -	ANGLES	± -	FINISH		PRODUCT SPEC APPLICATION SPEC	SIZE A2
0 PLC	± -																
1 PLC	± -																
2 PLC	± 0.25 [.010]																
3 PLC	± -																
4 PLC	± -																
ANGLES	± -																
FINISH																	
MATERIAL 6/6 NYLON	FINISH NATURAL	WEIGHT -	CAGE CODE 00779														
CUSTOMER DRAWING		SCALE 5:1	DRAWING NO C=521306														
		SHEET 1 OF 1	RESTRICTED TO -														
		REV F															

521306