

PART
NAME

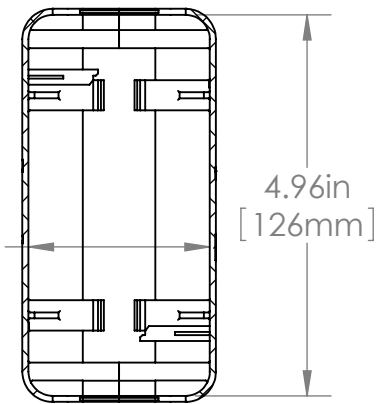
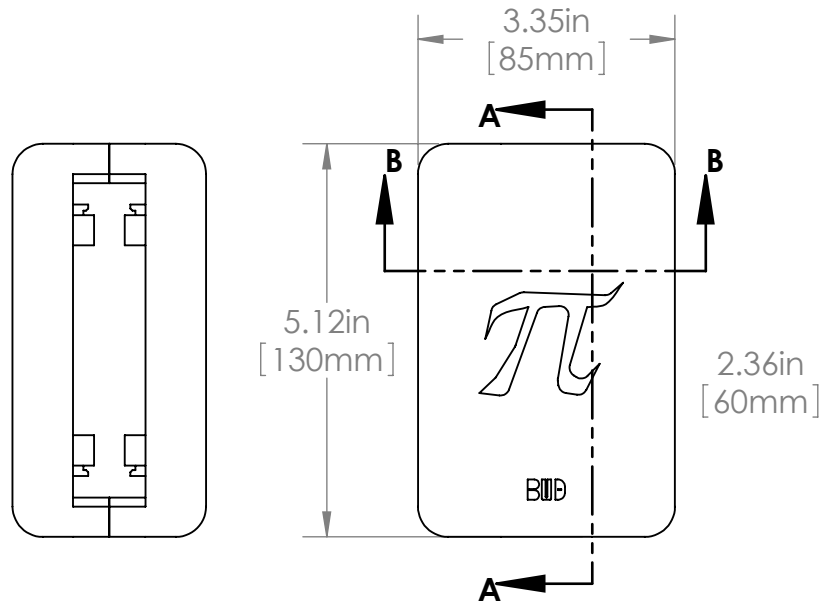
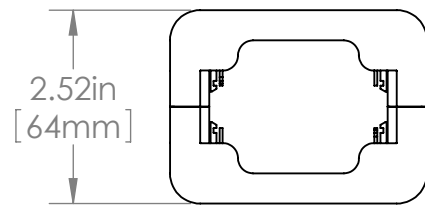
PI SANDWICH

PART
No.

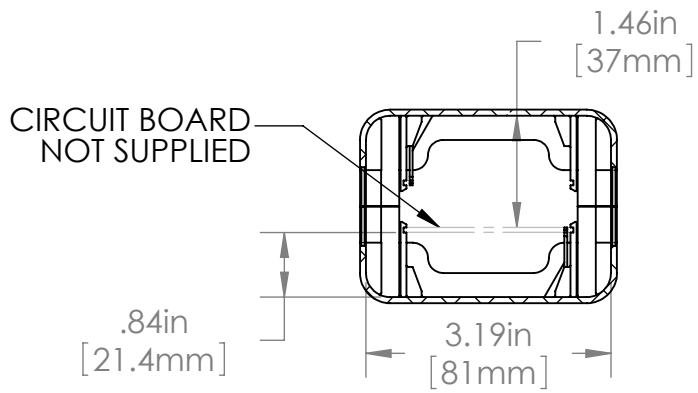
PS-11591

REV.
DATE

8-9-12



SECTION A-A



SECTION B-B

MATERIAL: TRANSLUCENT ABS
COLOR: RASPBERRY RED

