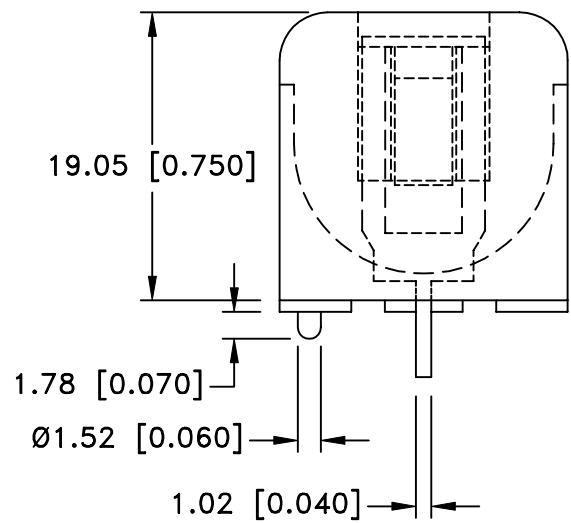
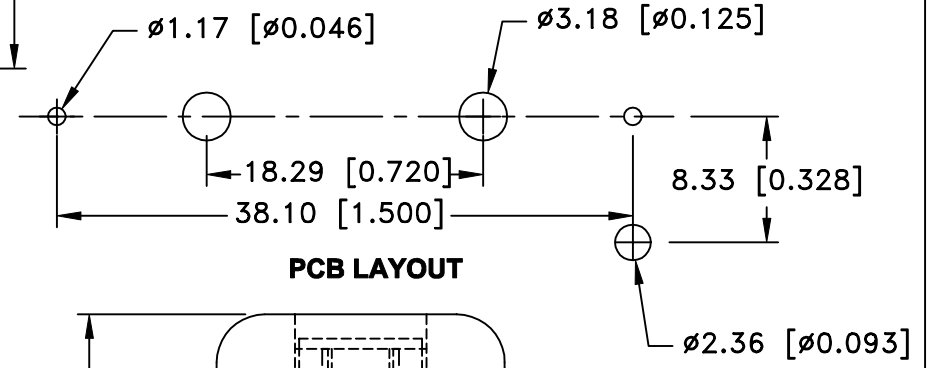
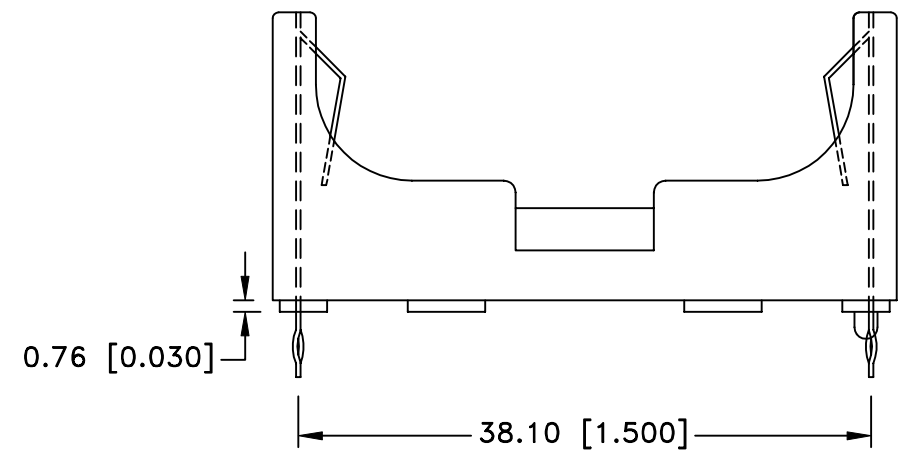



Date	SYM	REVISION RECORD	AUTH	DR.	CK.
05/03/03	A	ALL DIM. CHANGED TO 3 DECIMAL POINT	T.B.	B.S.	
07/25/03	B	CHANGED MATL. SPEC. ADDED MATERIAL ON BOTH ENDS TO CLOSE IT DIM. CHANGED	T.B.	B.S.	



**SPECIFICATIONS:**  
 HOLDER MATERIAL: SELF EXTINGVISHING THERMOPLASTIC, BLACK PBT  
 FLAMMABILITY RATING: UL94V-0, FILE #E53829  
 CONTACTS: 301 SPRING TEMPER STAINLESS STEEL, NICKLE PLATED OVERALL, SOLDER DIPPED PCB TAILS  
 DIELECTRIC STRENGTH: 560 VOLTS/MIL AT 25° C FOR 5 SEC.  
 TEMPERATURE RANGE: -55°C TO +180°C  
 RESISTANCE TO SOLVENTS: XYLENE, ETHYL, BUTYL, METHYL, PROPYL ALCOHOL, ETHYL ACETATE, HEPTANE, TOLUENE, REFRIGERANT

**NOTES:**  
 EYELET STIMPSON STYLE #A1883 0.110" OD x 0.190" FLANGE  
 FLANGE RECESS  $\phi 0.203$ " x 0.090" DEEP  
 ACCEPTS STANDARD 2-56 MACHINE SCREWS  
 ACCESSORIES: BI-UM-3-4, INSULATOR

Tolerance (Except as noted)	 <b>Memory Protection Devices, Inc</b> 200 Broad Hollow Road, Farmingdale, New York 11735	
decimal $\pm .5$ (.020)	Scale	Drawn By B.S. Approved By T.B.
Fractional $\pm .8$ (.030)	Title 2/3A BATTERY HOLDER, PCB MOUNTING	
Angular $\pm 3^\circ$	Date 07/25/03	Drawing Number BH2/3A-2