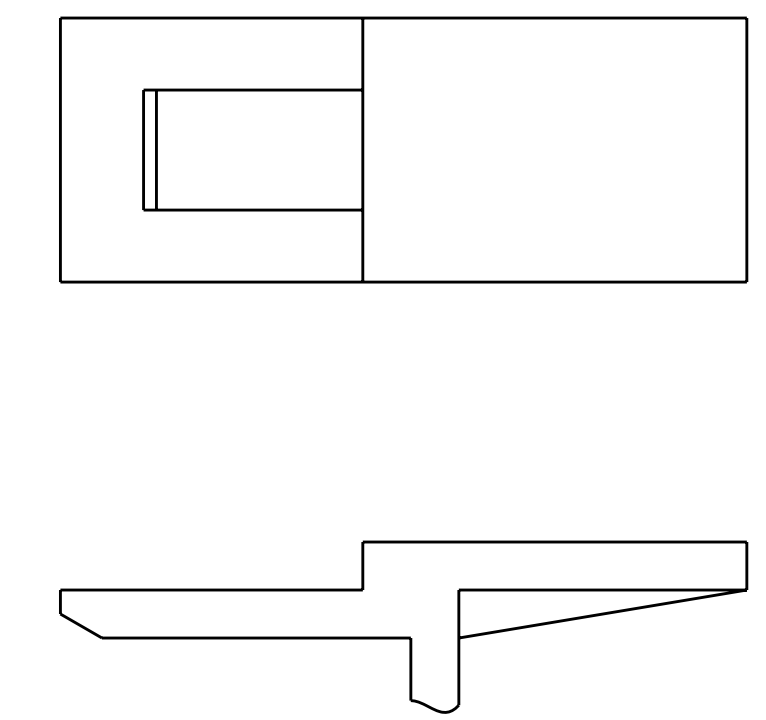
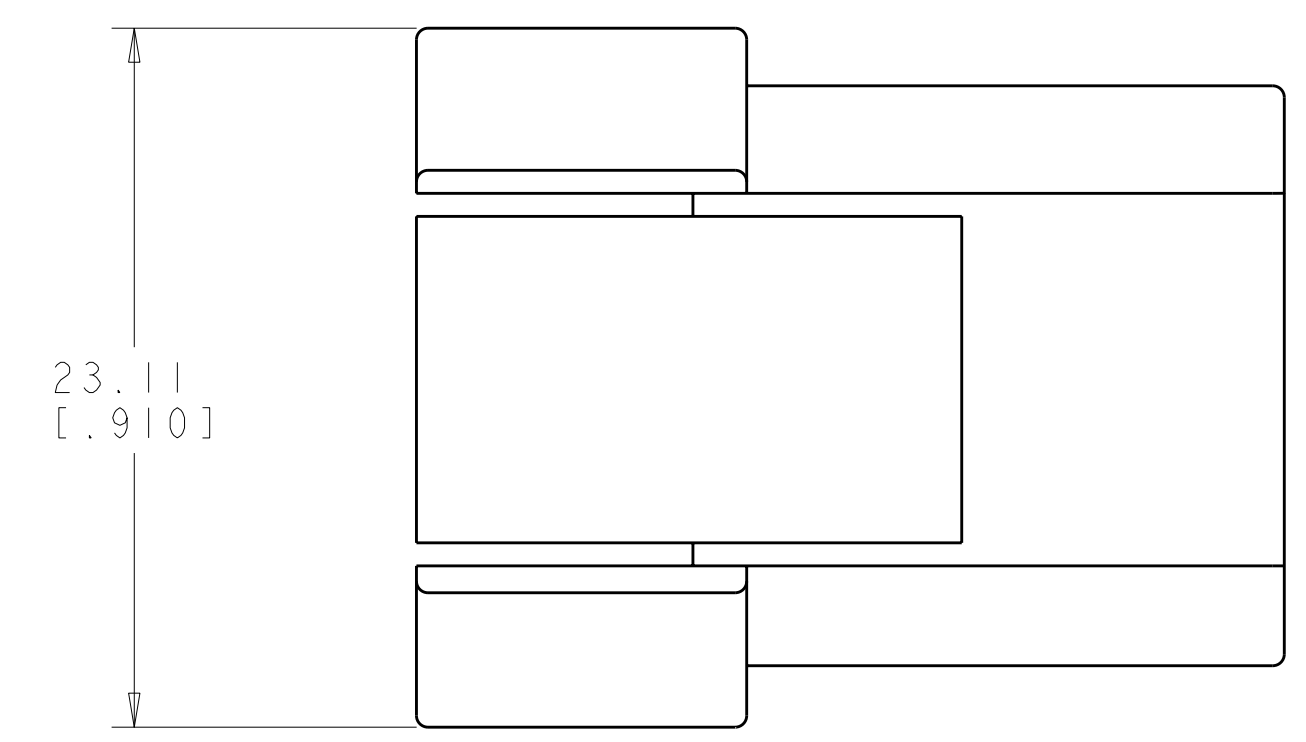
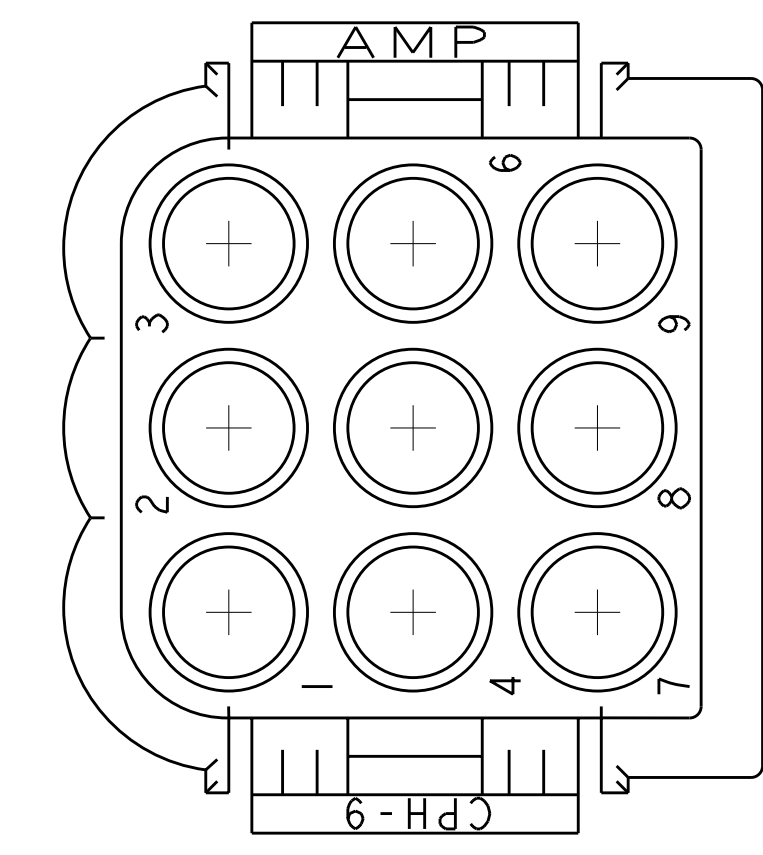
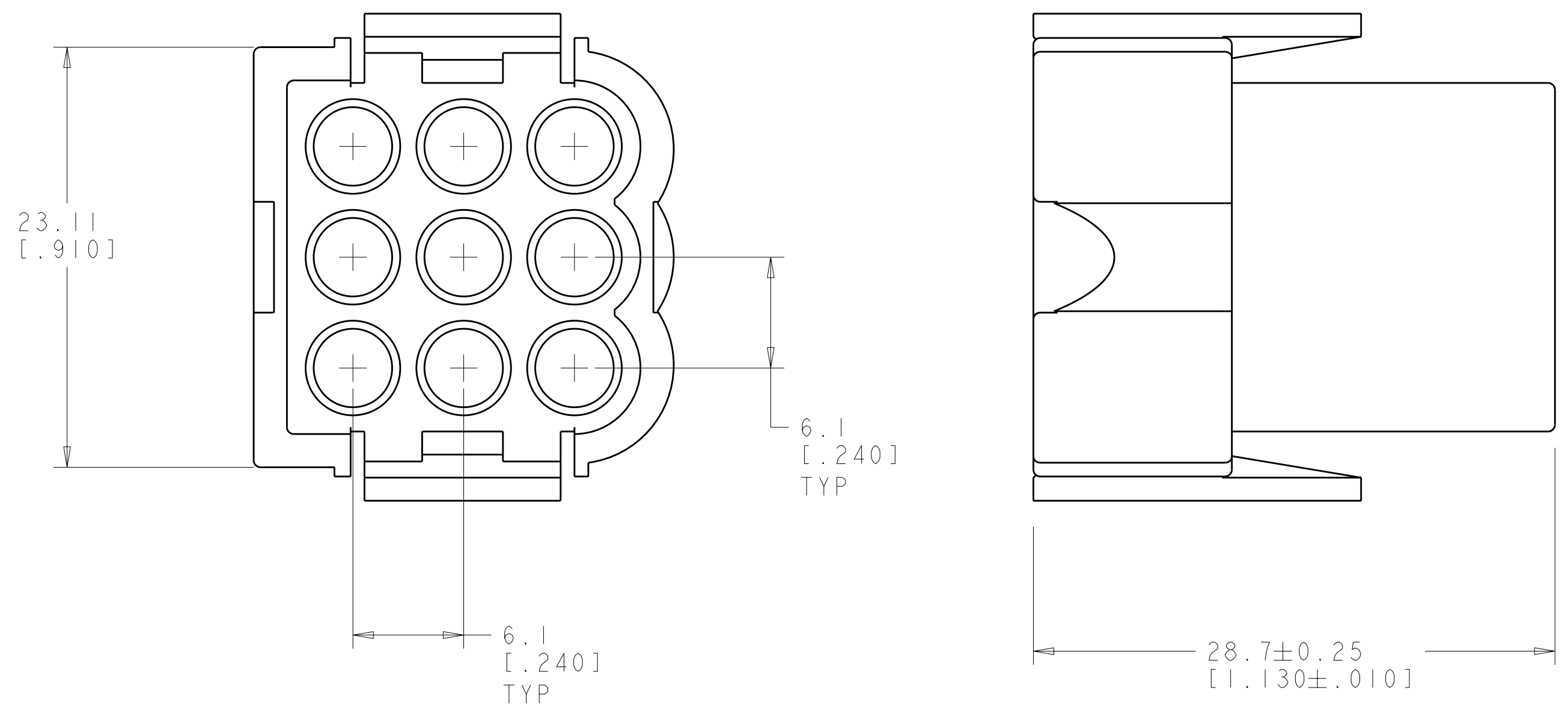
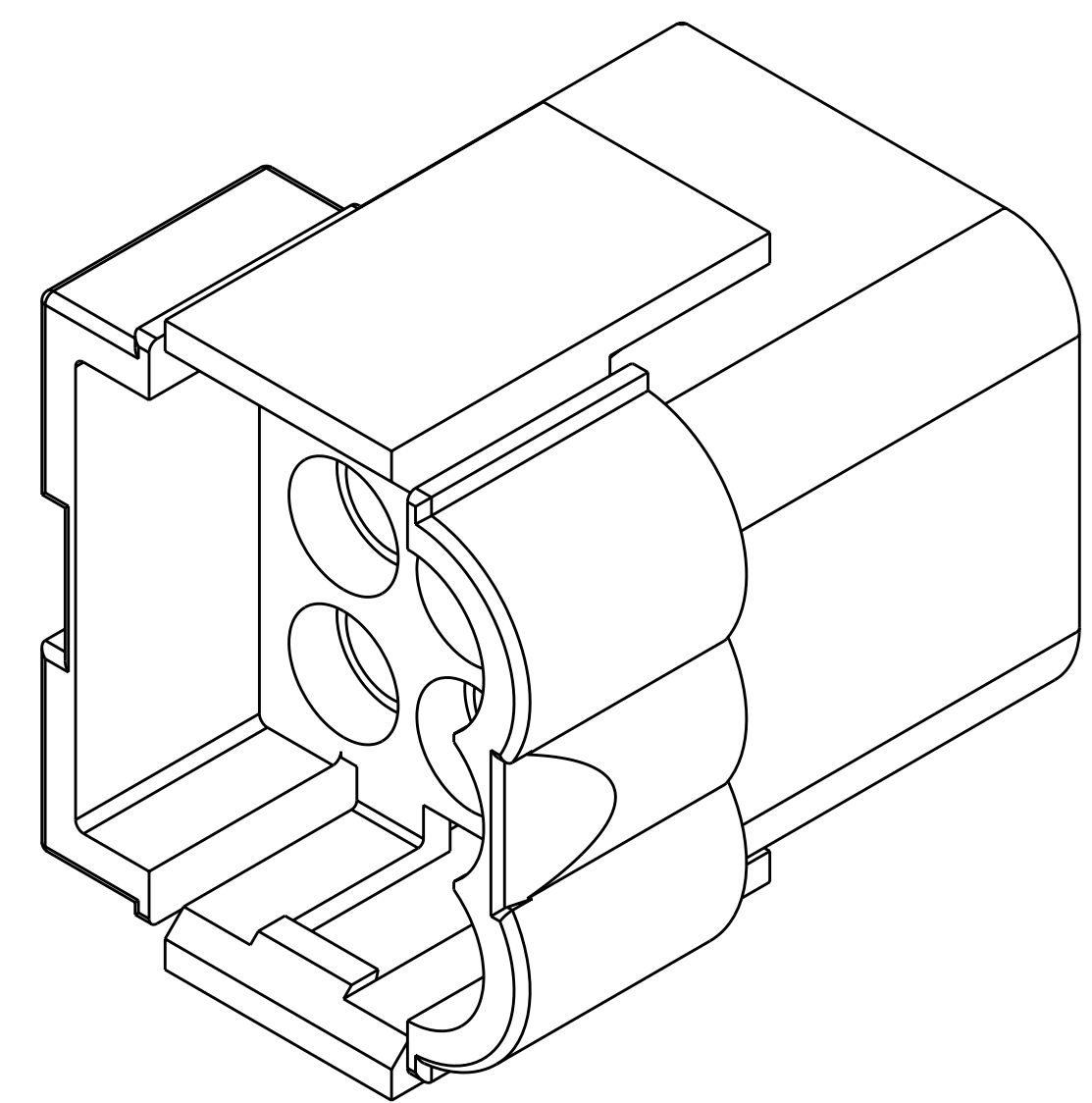


LOC		DIST		REVISIONS			
CM	00	REV	DATE	DESCRIPTION	DATE	DWN	APVD
		N3		REVISED PER ECO-11-005027	18MAR2011	RK	HMR



OPTIONAL CONSTRUCTION



METRIC

THIS DRAWING IS A CONTROLLED DOCUMENT.		DWN R. WHITAKER 15MAY2007	0.321 IN ³	NATURAL	1-480673-0
DIMENSIONS: mm [INCHES]		CHK C. CASH 15MAY2007	VOLUME	COLOR	PART NUMBER
TOLERANCES UNLESS OTHERWISE SPECIFIED:		APVD C. CASH 15MAY2007	TE Connectivity		
9 PLC ± 8 PLC ± 5 PLC ±0.13 (1.005) 4 PLC ± ANGLES ± FINISH #0°30'		NAME CAP. 9 CIRCUIT, .140 MATE-N-LOK(TM)			
MATERIAL NYLON UL 94V-2		PRODUCT SPEC APPLICATION SPEC WEIGHT CUSTOMER DRAWING	SIZE A100779	DRAWING NO. C=480673	RESTRICTED TO -
			SCALE 4:1	SHEET 1 OF 1	REV N3