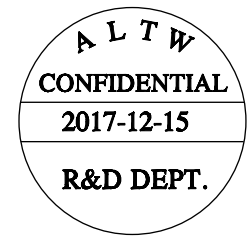
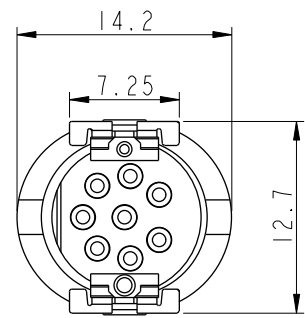
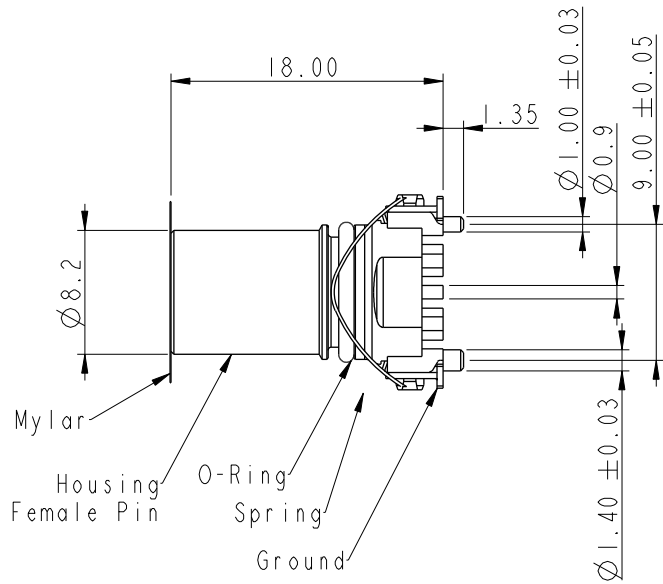
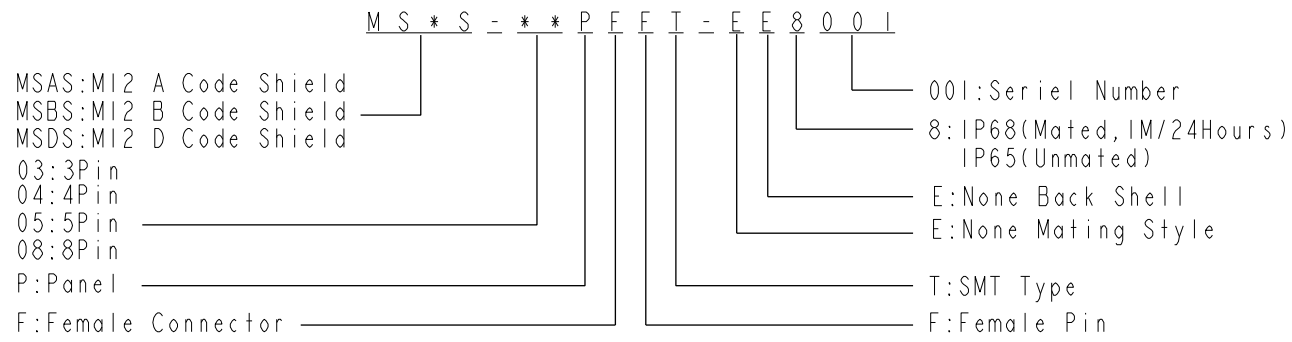


REV.	ECN NO.	DATE	SIGN	DESCRIPTION
A	Initial Release	2017/12/15	Arvin Chan	Change Rev.01 To Rev.A



Note:

- \*  $\varnothing$  Important Dimension,
- Material Specification :
  - \* Housing : Thermoplastic
  - \* Female Pin : Copper Alloy, Gold Plated
  - \* Ground : Copper Alloy, Tin Plated
  - \* Spring : Stainless Steel
  - \* O-Ring : Silicone, Gray
- Electrical Specification :
  - \* Contact Resistance : 10m $\Omega$  Max.
  - \* Insulation Resistance : 100M $\Omega$  min.
  - \* Dielectric Withstanding Voltage : 1KV
  - \* Rated Voltage : 3Pin&4Pin 250V d.c. or a.c.  
5Pin 60V d.c. or a.c.  
8Pin 30V d.c. or a.c.
  - \* Rated Current : 3Pin,4Pin&5Pin 4A  
8Pin 2A
- Mechanical Specification :
  - \* Durability : 1000 Cycles(IEC : 100 Cycles)
- Environmental Specification :
  - \* Temperature Range : -55~125°C
  - \* Salt Spray : 48h
  - \* SMT Temperature & Time : 260°C/5Sec
  - \* SMT Paste : 0.12mm min.



UNIT: mm		
TOLERANCE	.X ±0.25	.XX ±0.1
	.XXX ±0.05	ANGLES ±1°

TITLE M12 F CONN F PIN SMT TYPE		
SCALE 1:1	SIZE A4	SHEET 1 OF 4
REV. A	WC-REV. A.2	QC: Inspection item

**Amphenol LTW**  
安費諾亮泰企業股份有限公司

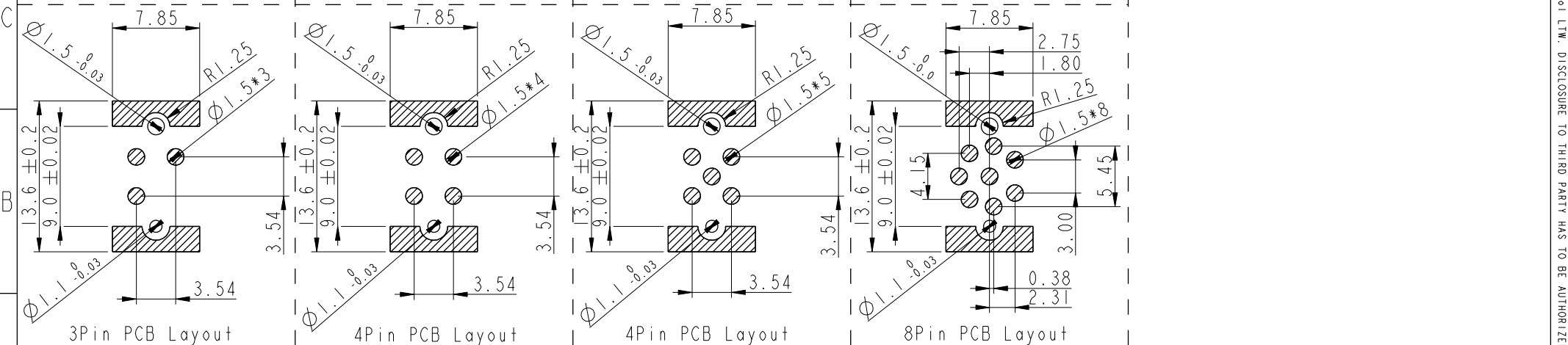
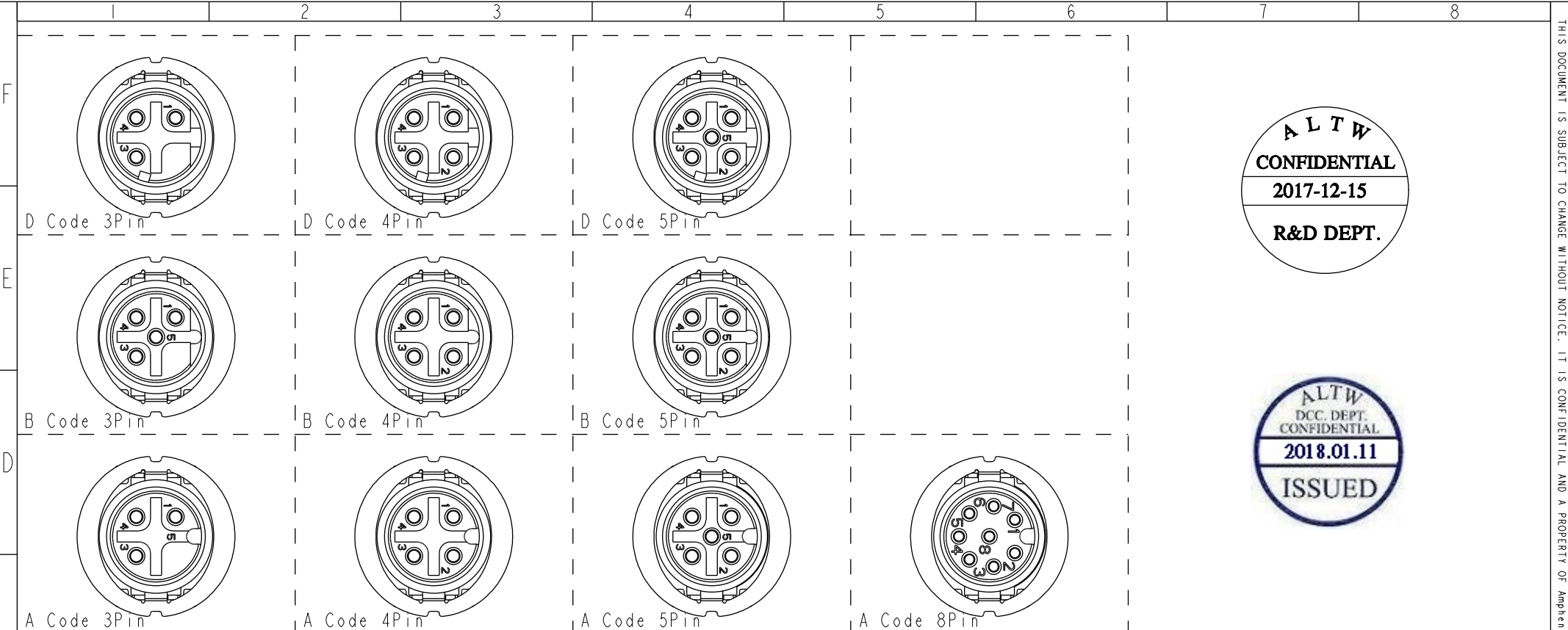
ITEM NO	DRAWN BY Arvin Chan	DATE 2017-12-15
DWG NO MSXS-XXPFPT-EE8XXX	CHECKED BY Aric Ko	DATE 2017-12-15
CUSTOMER ALTW	APPROVED BY Kevin Hu	DATE 2017-12-15

THIS DOCUMENT IS SUBJECT TO CHANGE WITHOUT NOTICE. IT IS CONFIDENTIAL AND A PROPERTY OF AMPHENOL LTW. DISCLOSURE TO THIRD PARTY HAS TO BE AUTHORIZED BY AMPHENOL LTW.

THIS DOCUMENT IS SUBJECT TO CHANGE WITHOUT NOTICE. IT IS CONFIDENTIAL AND A PROPERTY OF AMPHENOL LTW. DISCLOSURE TO THIRD PARTY HAS TO BE AUTHORIZED BY AMPHENOL LTW.

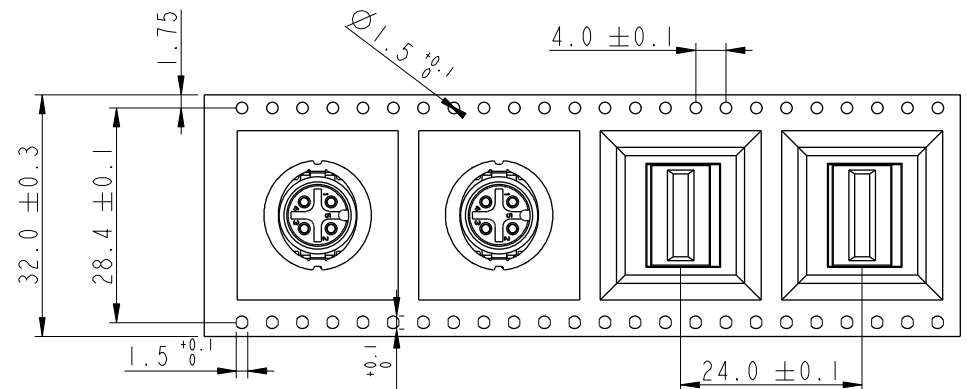
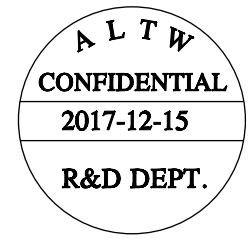
**ALTW**  
**CONFIDENTIAL**  
 2017-12-15  
**R&D DEPT.**

**ALTW**  
 DCC. DEPT.  
 CONFIDENTIAL  
 2018.01.11  
**ISSUED**

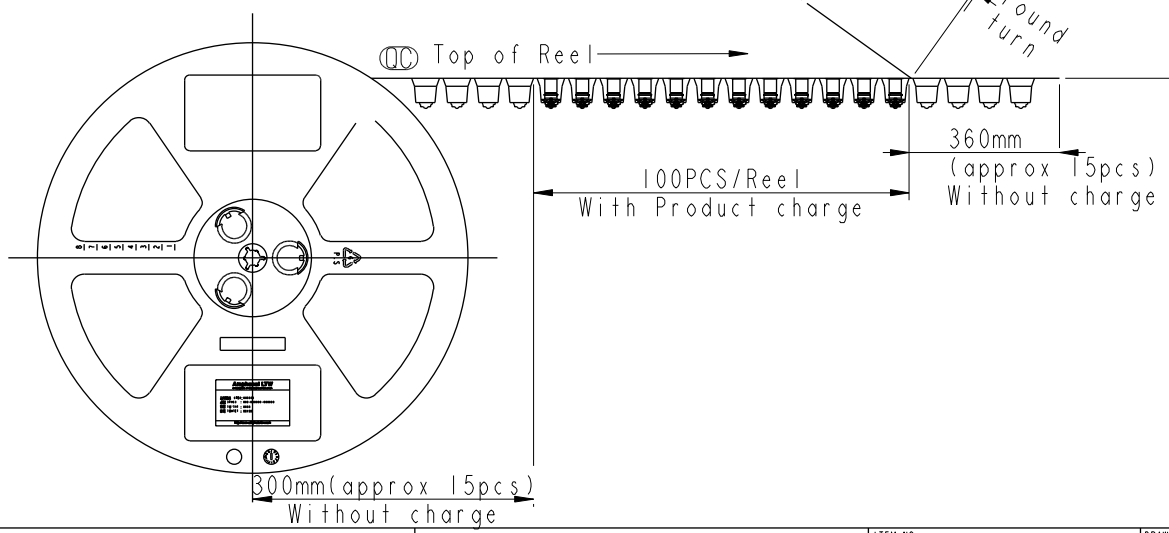
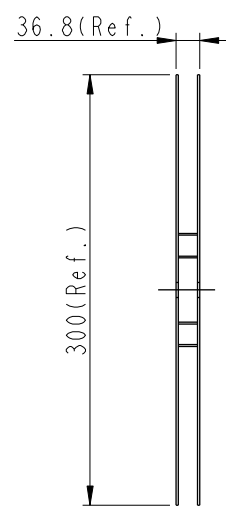
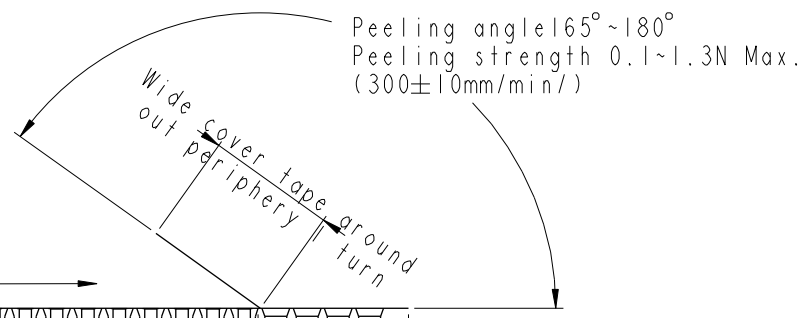
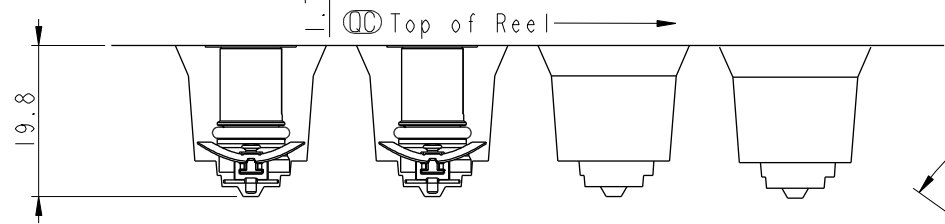


UNIT: mm 	TITLE <b>M12 F CONN F PIN SMT TYPE</b>			<b>Amphenol LTW</b> 安費諾亮泰企業股份有限公司		ITEM NO	DRAWN BY	DATE
	SCALE: 1:1      SIZE: A4      SHEET: 2 OF 4			DWG NO: MSXS-XXPFFT-EE8XXX		CHECKED BY: Aric Ko		DATE: 2017-12-15
	REV: A      WC-REV: .0       Inspection item					CUSTOMER: ALTW		APPROVED BY: Kevin Hu

THIS DOCUMENT IS SUBJECT TO CHANGE WITHOUT NOTICE. IT IS CONFIDENTIAL AND A PROPERTY OF AMPHENOL LTW. DISCLOSURE TO THIRD PARTY HAS TO BE AUTHORIZED BY AMPHENOL LTW.



NOTE:  
 (CC)\* Connector Orient follow Drawing



UNIT: mm		
TOLERANCE	.X ±0.25	
	.XX ±0.1	
	.XXX ±0.05	
ANGLES	±1°	

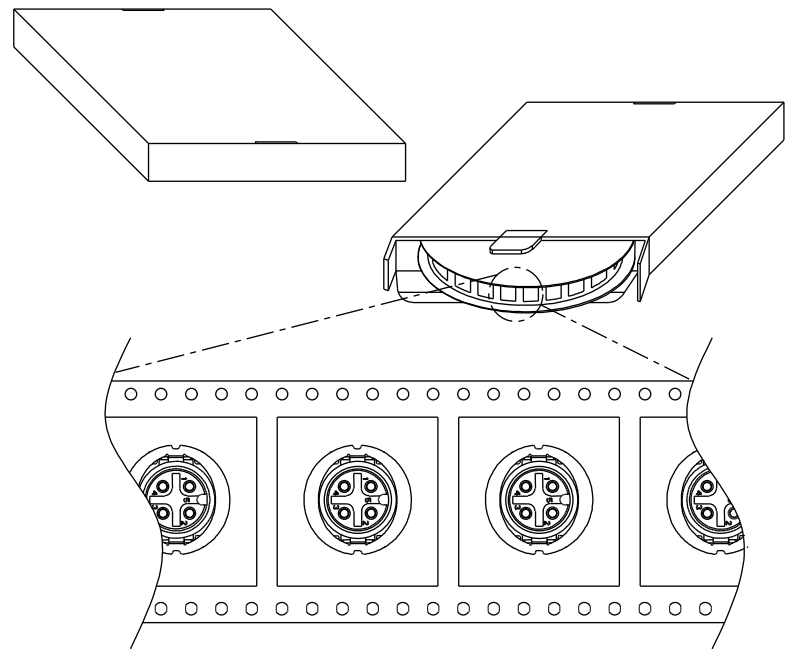
TITLE M12 F CONN F PIN SMT TYPE			
SCALE	1:1	SIZE	A4
		SHEET	3 OF 4
REV.	A	WC-REV.	.0
(CC): Inspection item			

**Amphenol LTW**  
 安費諾亮泰企業股份有限公司

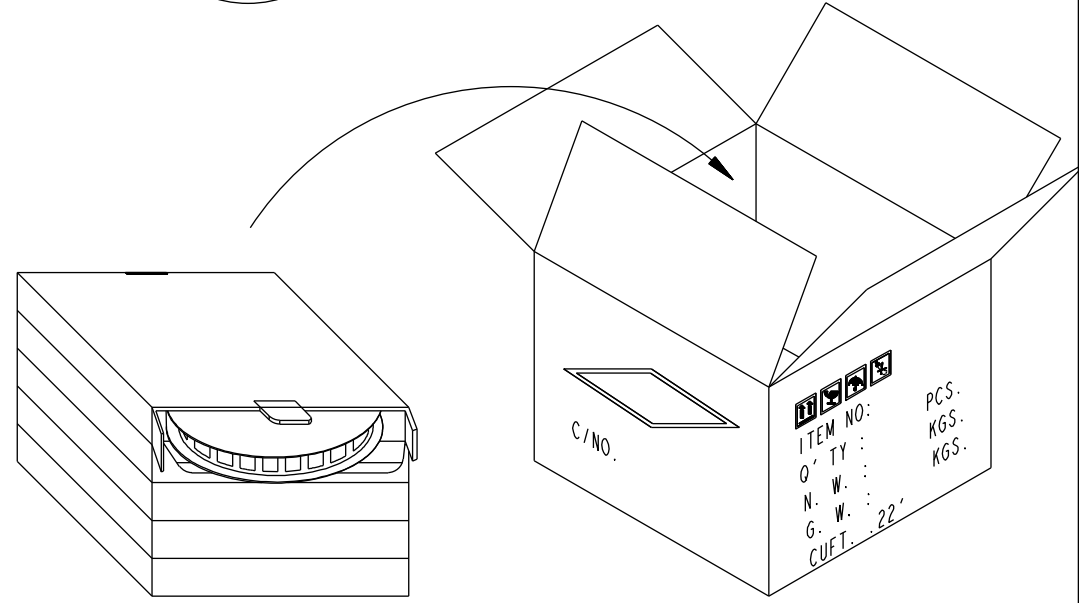
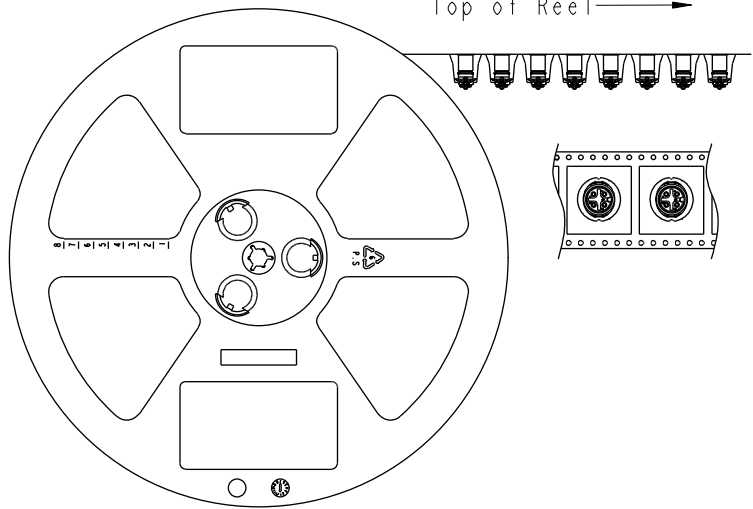
ITEM NO	DRAWN BY	DATE
	Arvin Chan	2017-12-15
DWG NO	CHECKED BY	DATE
MSXS-XXPFFT-EE8XXX	Aric Ko	2017-12-15
CUSTOMER	APPROVED BY	DATE
ALTW	Kevin Hu	2017-12-15

THIS DOCUMENT IS SUBJECT TO CHANGE WITHOUT NOTICE. IT IS CONFIDENTIAL AND A PROPERTY OF AMPHENOL LTW. DISCLOSURE TO THIRD PARTY HAS TO BE AUTHORIZED BY AMPHENOL LTW.

**ALTW**  
**CONFIDENTIAL**  
 2017-12-15  
**R&D DEPT.**



Top of Reel →



Note:  
 100 PCS(Connector)/Tape&Reel Put in a Box  
 5PCS(Max.) Box Put in a Carton

**ALTW**  
**DCC. DEPT.**  
**CONFIDENTIAL**  
 2018.01.11  
**ISSUED**

UNIT: mm		
TOLERANCE	±0.25	
.X	±0.1	
.XX	±0.05	
.XXX	±0.05	
ANGLES	±1°	

TITLE MI2 F CONN F PIN SMT TYPE		
SCALE 1:1	SIZE A4	SHEET 4 OF 4
REV. A	WC-REV. .0	: Inspection item

**Amphenol LTW**  
**安費諾亮泰企業股份有限公司**

ITEM NO.	DRAWN BY Arvin Chan	DATE 2017-12-15
DWG NO. MSXS-XXPFFT-EE8XXX	CHECKED BY Aric Ko	DATE 2017-12-15
CUSTOMER ALTW	APPROVED BY Kevin Hu	DATE 2017-12-15

DATE 2017-12-15
DATE 2017-12-15
DATE 2017-12-15