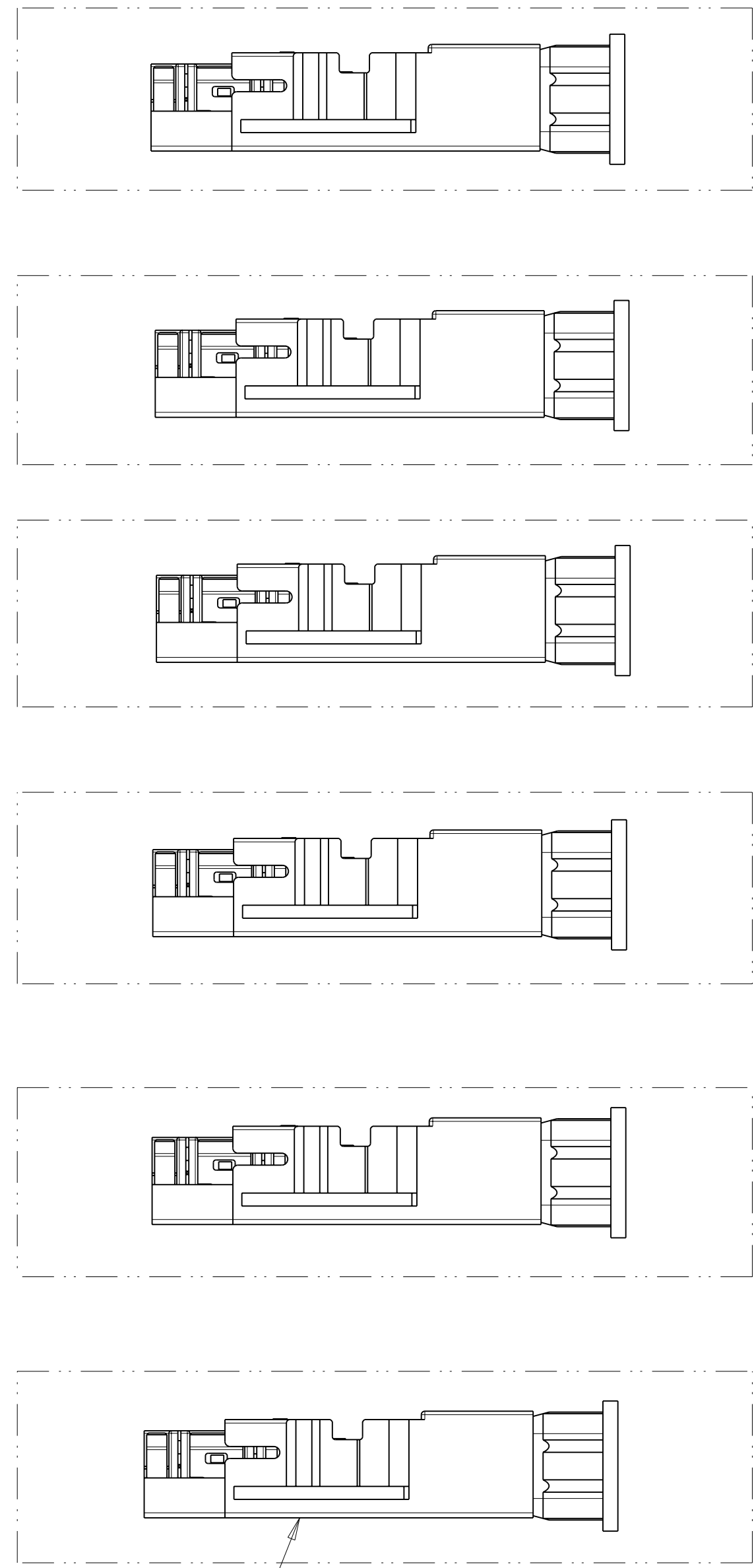
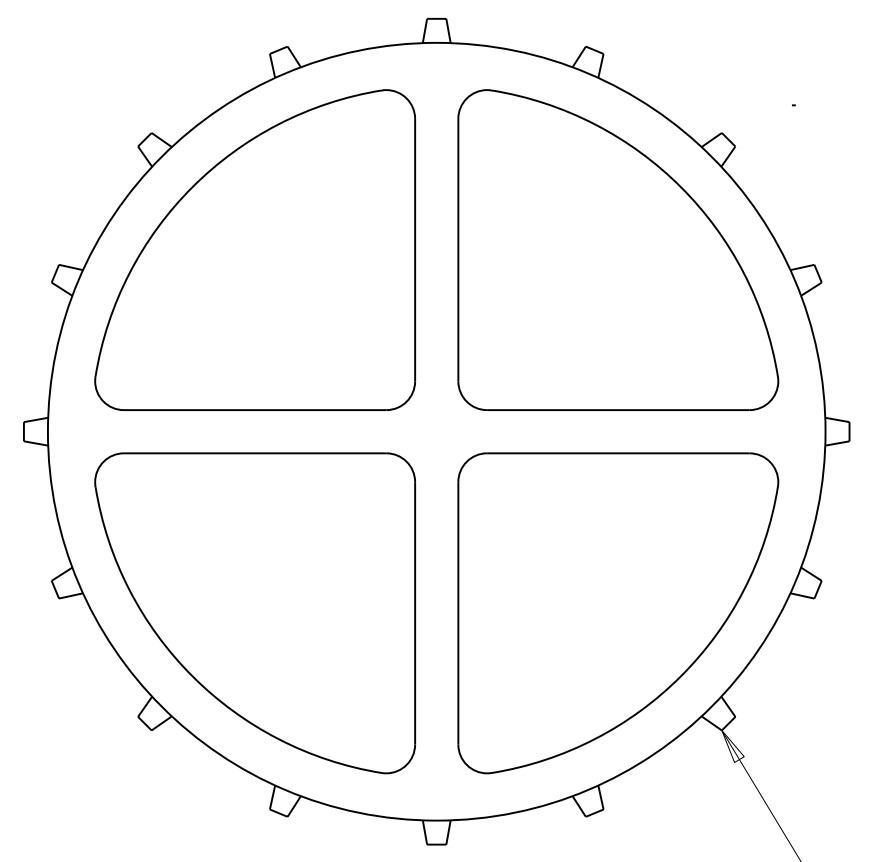


THIS DRAWING IS UNPUBLISHED. RELEASED FOR PUBLICATION .19  
 BY AMP INCORPORATED. ALL RIGHTS RESERVED.

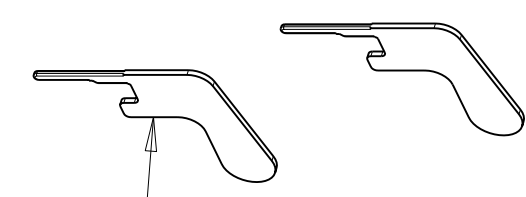
LOC	DIST	REVISIONS			
P	LTR	DESCRIPTION	DATE	DWN	APVD
CE	00	A	REV PER ECR-06-003731	16FEB2006	BB DK



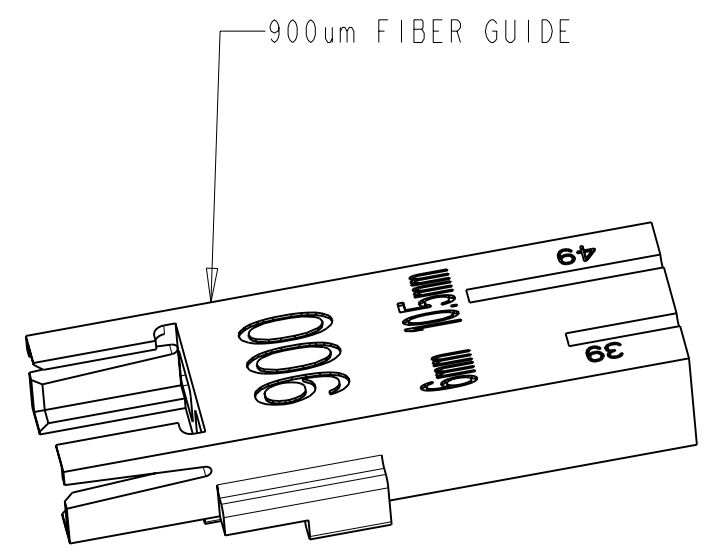
MT-RJ JACK  
MODULE ASSEMBLY



ICON WHEEL



MT-RJ ACTUATION KEY



900um FIBER GUIDE

DESCRIPTION	PART NUMBER
50/125 XG MT-RJ MODULE KIT, 6 PACK	6588880-3
62.5/125 MT-RJ MODULE KIT, 6 PACK	6588880-2
50/125 MT-RJ MODULE KIT, 6 PACK	6588880-1

<small>THIS DRAWING IS A CONTROLLED DOCUMENT FOR AMP INCORPORATED. IT IS SUBJECT TO CHANGE AND THE CONTROLLING ENGINEERING ORGANIZATION SHOULD BE CONTACTED FOR THE LATEST REVISION.</small>	
DIMENSIONS: mm 	TOLERANCES UNLESS OTHERWISE SPECIFIED: 0 PLC ± 1 PLC ± 2 PLC ± 3 PLC ± 4 PLC ± ANGLES ± FINISH -
MATERIAL -	FINISH -

DWN B. BRIGGS 01NOV2005	AMP Incorporated Harrisburg, PA 17105-3608
CHR D. KIRSCH 01NOV2005	
APVD S. BUCHTER 01NOV2005	
NAME MT-RJ 39mm MODULE KIT, 6 PACK	
PRODUCT SPEC	
APPLICATION SPEC	
WEIGHT	
SIZE A2	CAGE CODE 00779
DRAWING NO C-6588880	SCALE NTS
CUSTOMER DRAWING	SHEET 1 OF 1 REV A