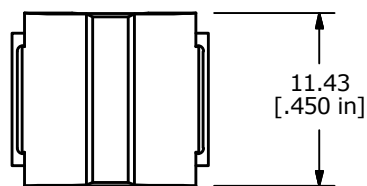
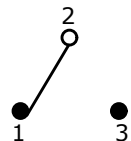


RECOMMENDED P.C. MOUNTING



SWITCH FUNCTION		
POS. 1	POS. 2	POS. 3
(ON)	OFF	(ON)
2-3	OPEN	2-1

(ON) = MOMENTARY

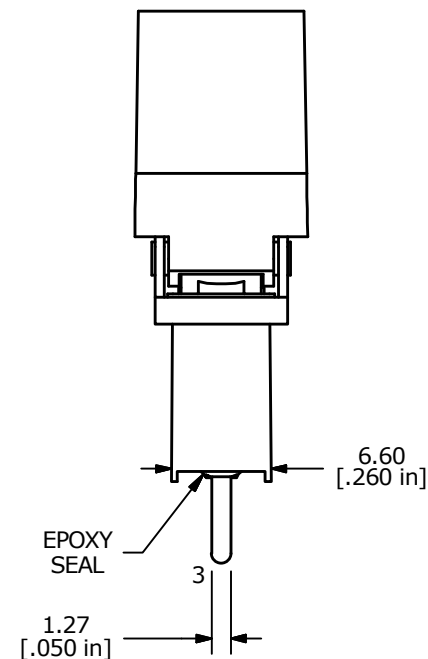
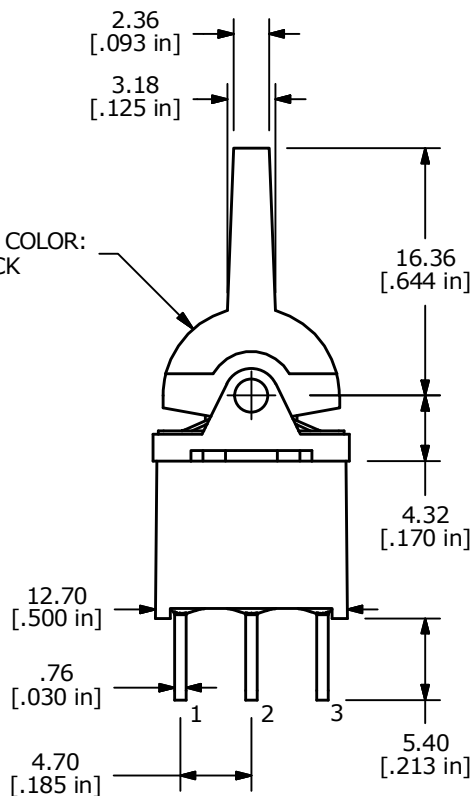


▲ CIRCUIT: SPDT

NOTE:

1. ALL DIMENSIONS IN MM [INCH]
2. GENERAL TOLERANCE: X.X = ±0.4  
X.XX = ±0.25
3. TERMINAL NUMBERS FOR REF ONLY
- ▲ 4. PLATING MATERIAL: SILVER
5. RATING: 5 AMPS @ 120VAC OR 28VDC UL, CUL  
2 AMPS @ 250VAC UL, CUL
6. ELECTRIC LIFE: 30,000 MAKE-AND-BREAK CYCLES AT FULL LOAD.
7. INSULATION RESISTANCE: 1,000 MEGA-OHM MIN.
8. DIELECTRIC STRENGTH: 1,000 V RMS @SEA LEVEL.
9. OPERATING TEMP.: -30°C to 85°C
10. ▲ DENOTES CRITICAL PARAMETER.
11. 2011/65/EU (ROHS) COMPLIANT

▲ ACTUATOR COLOR: BLACK



E	22705	UPDATED LAYOUT AND TERMINALS	2/13/17	MJR
D	20947	ADD "BLK" TO TITLE	1/2/13	EBP
REV	PCR NO	DESCRIPTION	DATE	BY

TITLE 300AWSP4J6BLKM2QE				
SCALE 2:1	DATE 1/13/2004	DR BLR	DWG T301462	REV E

THE INFORMATION CONTAINED IN THIS DOCUMENT IS PROPRIETARY TO E-SWITCH AND IS NOT TO BE COPIED OR TRANSFERRED