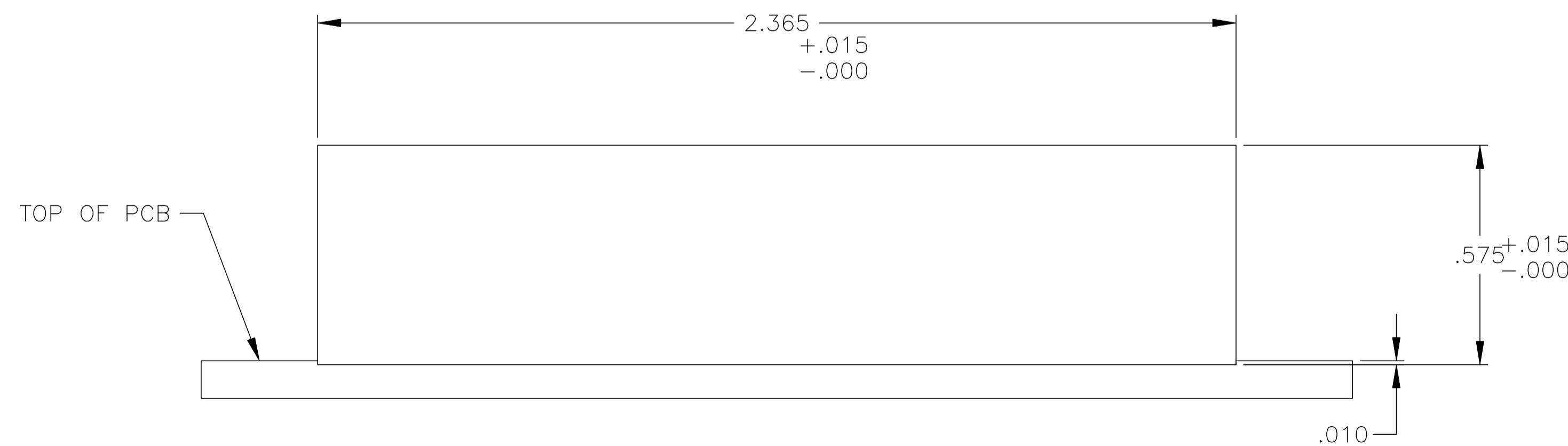
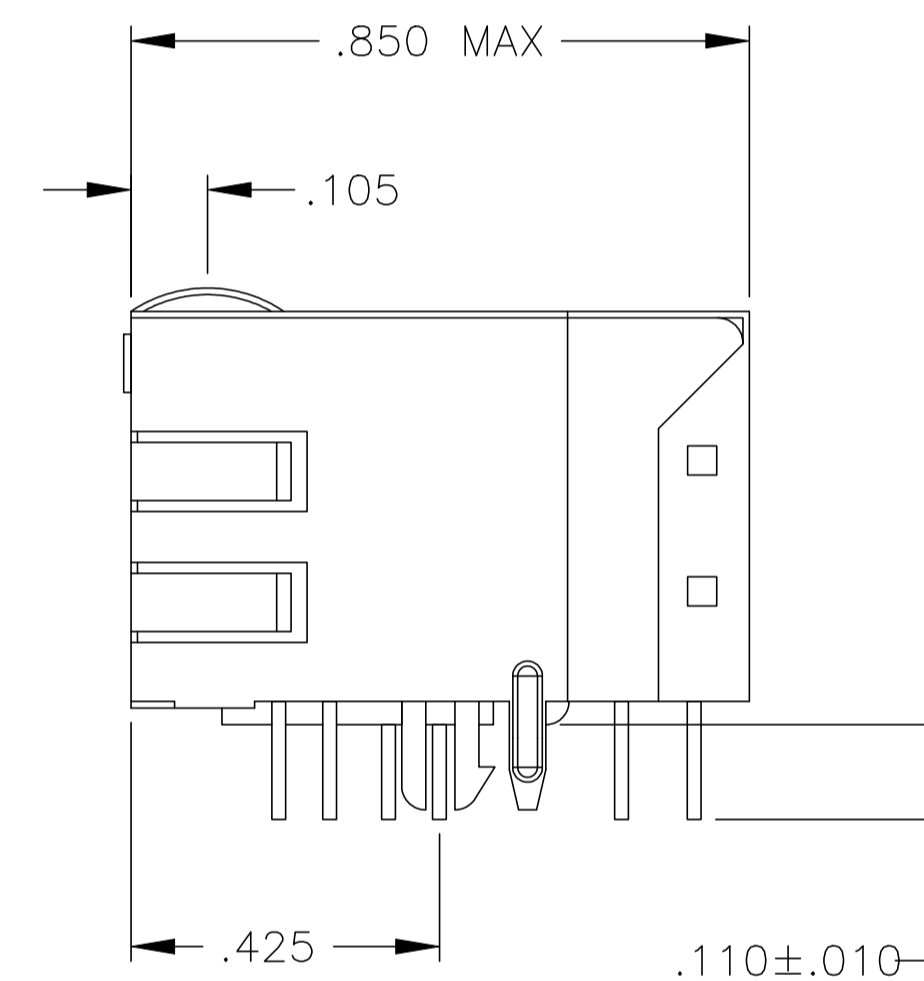
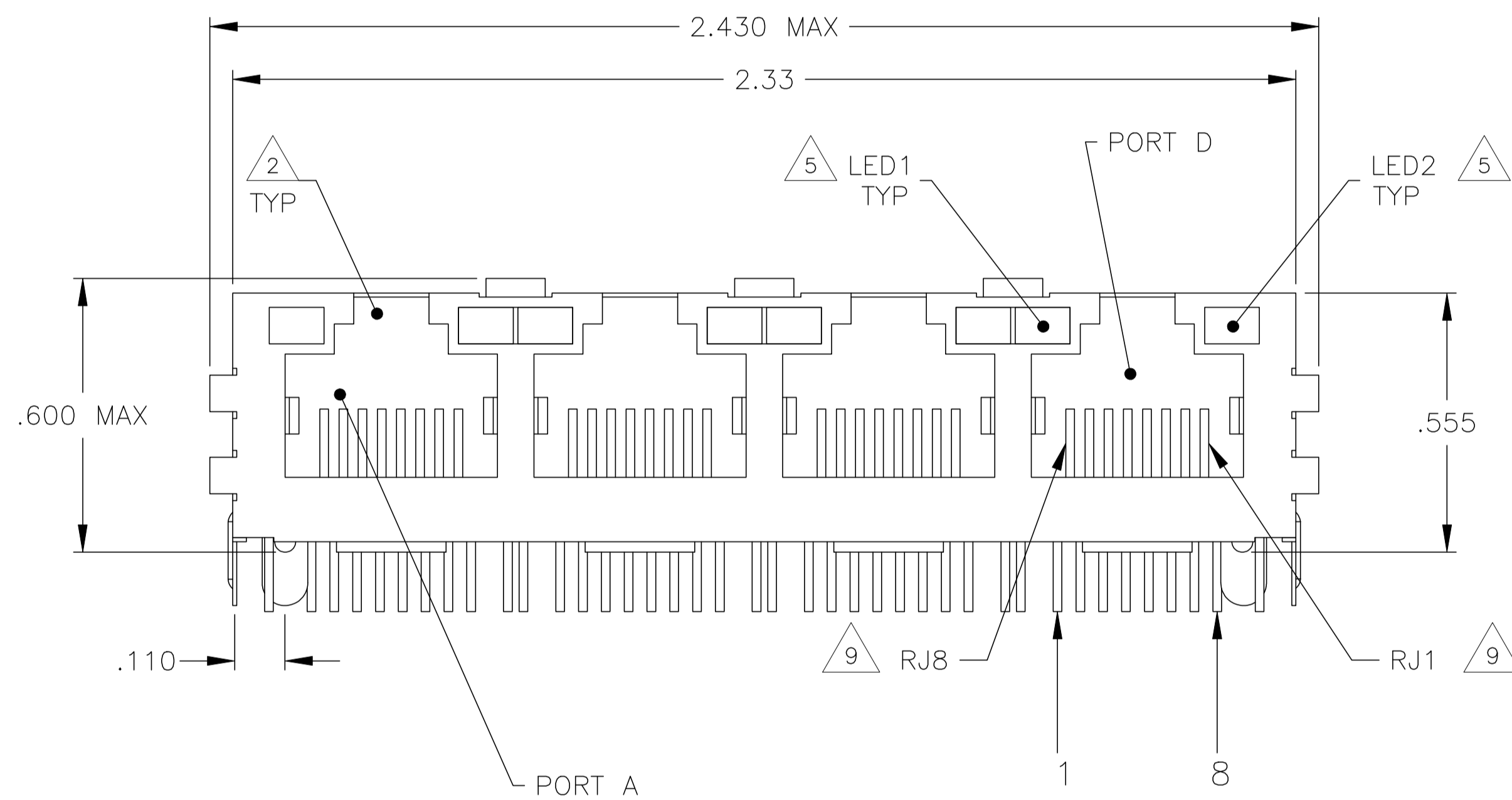
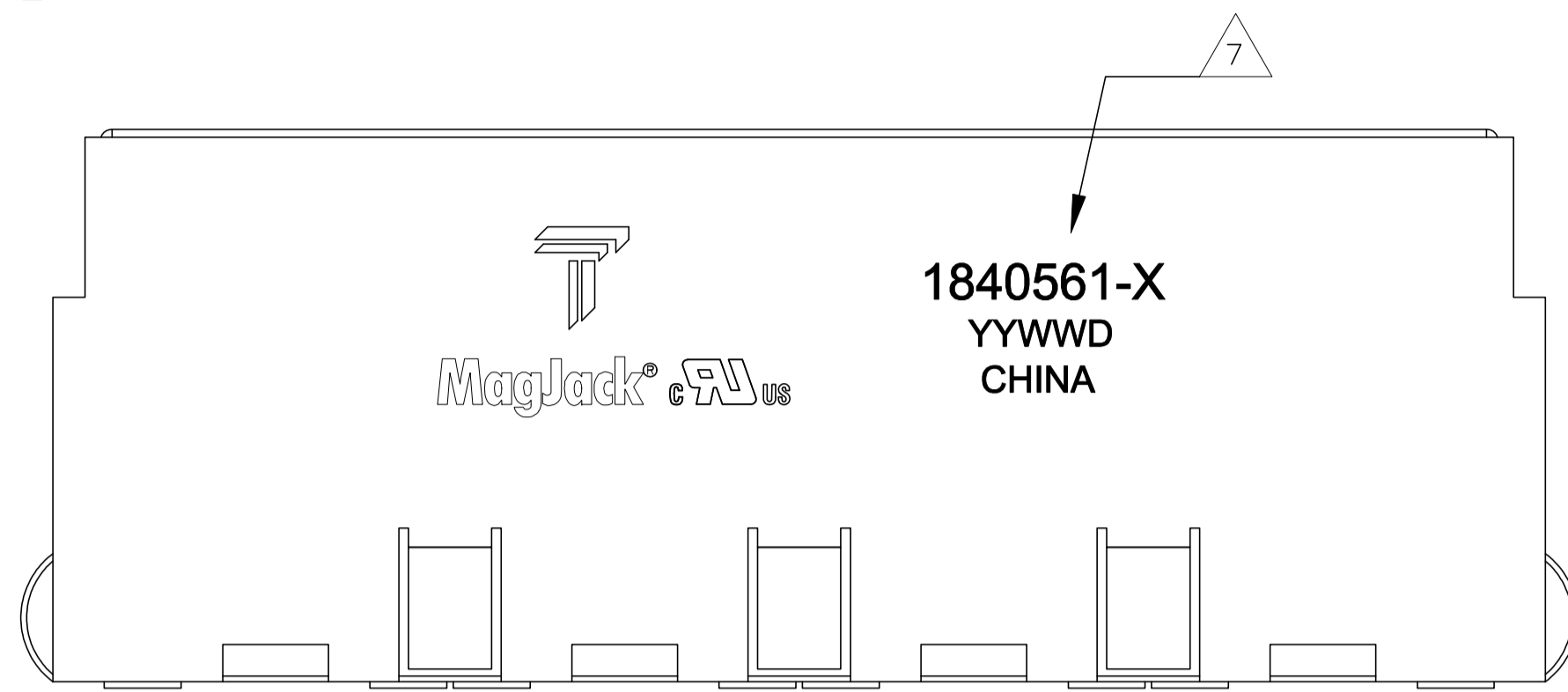


THIS DRAWING AND THE SUBJECT MATTER SHOWN THEREON ARE CONFIDENTIAL AND THE PROPERTY OF BEL/STEWART/TRP CONNECTOR AND SHALL NOT BE REPRODUCED, COPIED, OR USED IN ANY MANNER WITHOUT THE WRITTEN CONSENT OF TRP CONNECTOR.

PRODUCT MAY BE PROTECTED BY ONE OR MORE OF THE FOLLOWING US PATENTS:  
 5736910 5939955 6425781 6428361 6554638 6840817 7123117  
 7429195 7717749 7808751 6217391 6149050 7924130

REVISIONS				
REV	DATE	BY	APPD	DESCRIPTION
F	29DEC2014	RT	TL	EC-1411035 COMPANY LOGO CHANGE

MECHANICAL:



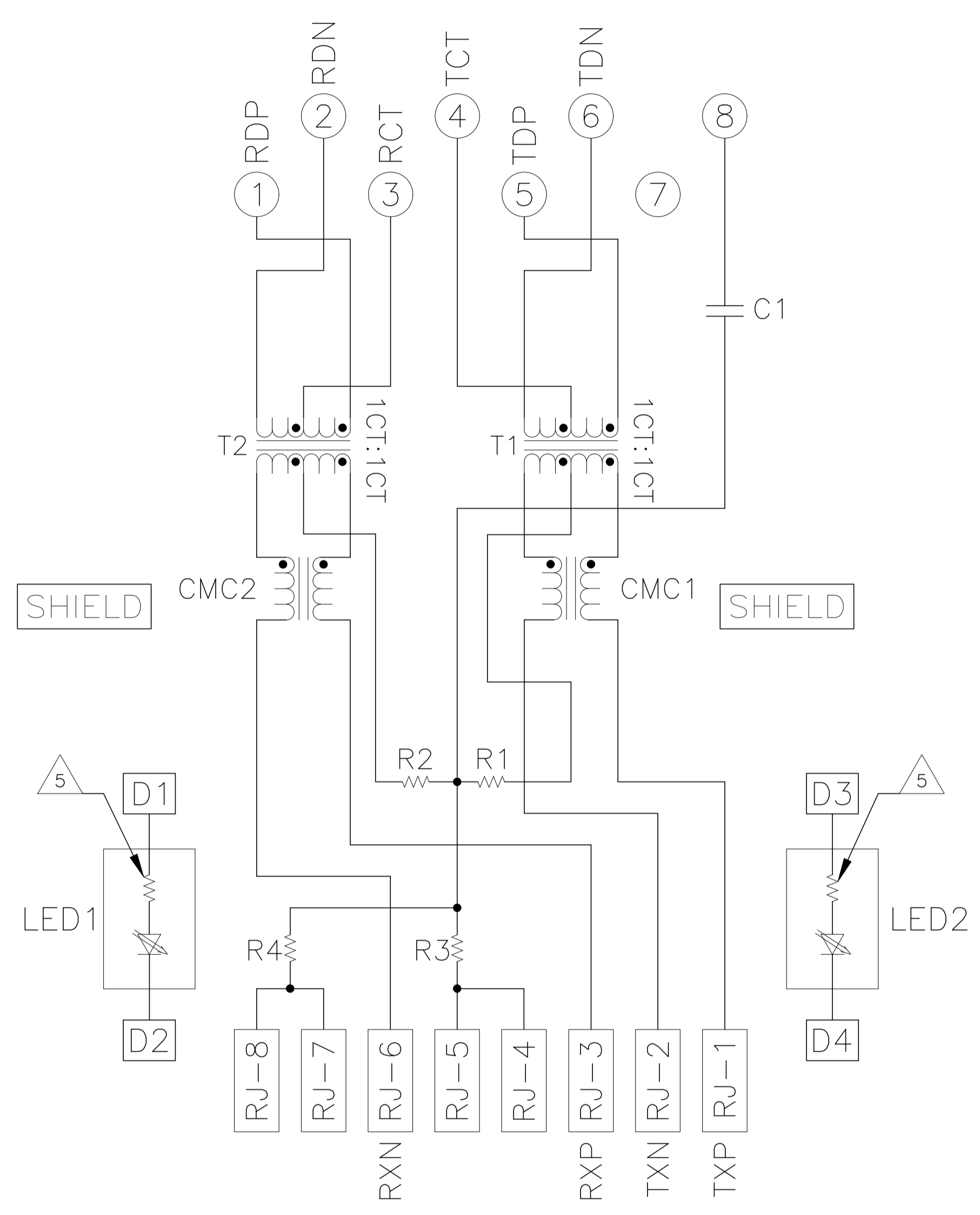
1X4 SUGGESTED PANEL CUTOUT

- 1 MATERIALS:
  - HOUSING - THERMOPLASTIC PET POLYESTER FLAMMABILITY RATING UL 94V-0.
  - SHIELD - .010" THICK, C26800 BRASS PREPLATED WITH 30μINCH MIN SEMI-BRIGHT NICKEL.
  - SOLDER TABS POST DIPPED WITH 100μINCH MIN SAC SOLDER.
  - MOD JACK CONTACTS - 0.0157 X 0.018" PHOSPHOR BRONZE, 50μINCH MIN OVERALL NICKEL UNDERPLATE WITH SELECT 50μINCH MIN HARD GOLD FINISH PLATE. SOLDER TAILS WITH 100μINCH MIN MATTE TIN AND/OR SAC SOLDER DIP.
  - LIGHT EMITTING DIODE(LED) - DIFFUSED EPOXY LENS, .020" X .020" CARBON STEEL WIREFRAME LEADS PRE-PLATED WITH 80μINCH SILVER OVER 40μINCH NICKEL UNDERPLATE OVER 40μINCH COPPER UNDERPLATE. POST-PLATED WITH 100μIN MIN MATTE TIN AND/OR SAC SOLDER DIP OR PURE TIN SOLDER DIP.
- 2 RJ45 JACK CAVITY CONFORMS TO FCC RULES AND REGULATIONS PART 68, SUB PART F.
- 3 MAGNETICS
  - APPLICATION: 10/100 BASE-T
  - IMPEDANCE: 100 OHMS
  - TURNS RATIO (CHIP:CABLE): TX = 1:1, RX = 1:1
  - OPEN CIRCUIT INDUCTANCE (OCL): 350uH MIN @100kHz, 0.1VRMS, 8mADC BIAS FROM 0°C TO 70°C, TX AND RX
  - PERFORMANCE @ 25°C:
    - INSERTION LOSS (IL): 1.1dB MAX FROM 0.5MHz TO 100MHz
    - RETURN LOSS (RL): 18dB MIN FROM 0.5MHz TO 30MHz
    - 18-20LOG(f/30)dB MIN FROM 30.1MHz TO 60MHz
    - 12dB MIN FROM 60.1MHz TO 80MHz
    - CROSSTALK ATTENUATION: 35dB MIN FROM 0.5MHz TO 40MHz
    - 33-20LOG(f/50)dB MIN FROM 40.1MHz TO 100MHz
    - COMMON MODE REJECTION RATIO (CMRR): 30dB MIN FROM 0.5MHz TO 100MHz
    - ISOLATION VOLTAGE: 2250 VDC FOR 60 SECONDS DURATION.
4. OPERATING TEMPERATURE: FROM 0°C TO +70°C.
- 5 LEDS WITH BUILT-IN RESISTOR
  - LEDS ARE DRIVEN WITH 5V VOLTAGE AND THE MAX OPERATING CURRENT IS 20mA.
  - LED COLOR - DOMINANT WAVELENGTH (λD): GREEN 568 nm TYP. @ VF=5V
  - FORWARD CURRENT (IF): GREEN 12 mA TYP. @ VF=5V
  - DOMINANT WAVELENGTH (λD): YELLOW 588 nm TYP. @ VF=5V
  - FORWARD CURRENT (IF): YELLOW 13 mA TYP. @ VF=5V
- 6 INDICATED CONNECTIONS ARE FOR NIC CONFIGURATION. THE MAGNETICS ARE SYMMETRICAL AND SUPPORT AUTO-MDI/MDIX.
- 7 TRP CONNECTOR LOGO, PART NUMBER, DATE CODE, COUNTRY OF ORIGIN AND AGENCY APPROVAL MARKING IN APPROXIMATE LOCATION SHOWN.
8. THESE PARTS ARE RECOMMENDED FOR WAVE SOLDERING PROCESS, PREHEAT TEMPERATURE IS 120°C TO 160°C, 120 SECONDS TO 180 SECONDS, PEAK WAVE SOLDERING TEMPERATURE IS 260°C MAX, 10 SECONDS MAX.
- 9 HM-15 LUBRICANT PN 1325291-1 APPLIED IN MATING AREA.
10. 1840561-2 SHOWN UNLESS OTHERWISE NOTED.

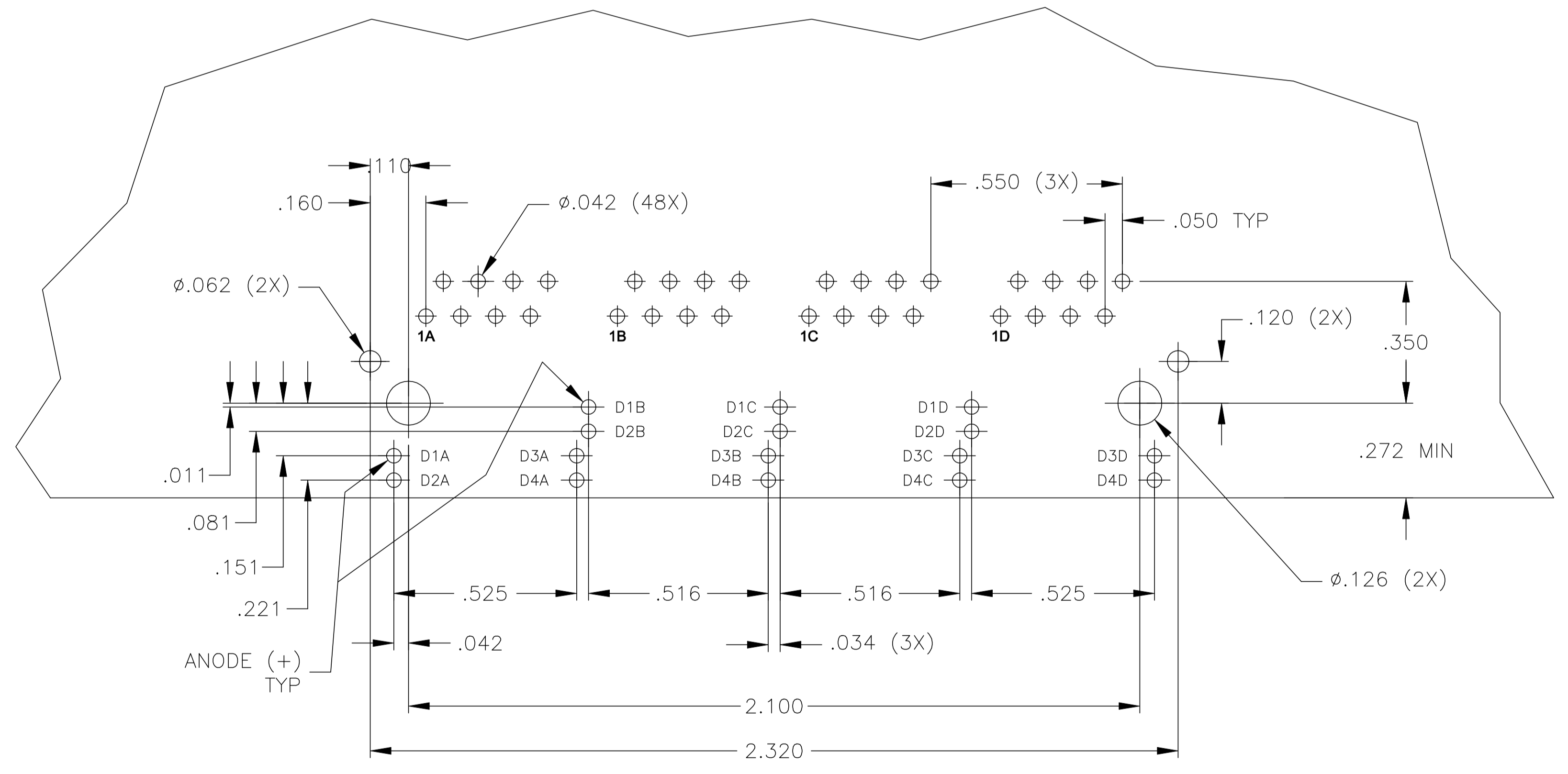
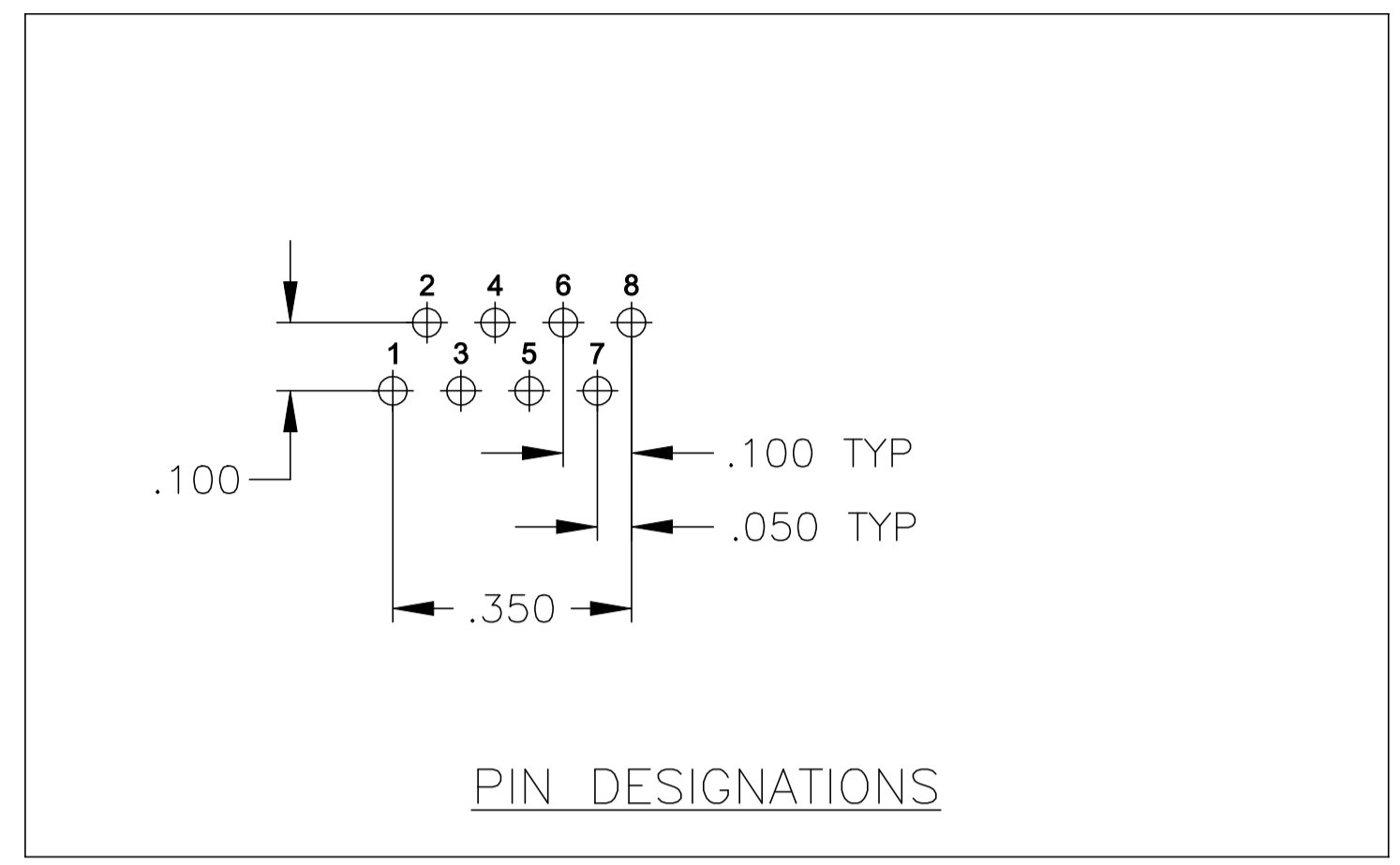
GREEN	YELLOW	1840561-1
YELLOW	GREEN	1840561-2
LED1	LED2	PART NUMBER

THIS DRAWING IS A CONTROLLED DOCUMENT.		OWN: VIKIN LEE 06FEB2009	trp CONNECTOR DONGGUAN CHINA	
DIMENSIONS: INCHES		CHK: QUENTIN LIU 06FEB2009	1X4 726 10/100 TAB UP W/ LED	
TOLERANCES UNLESS OTHERWISE SPECIFIED:		APVD: LIJUN RAO 06FEB2009	SIZE: A1	
0 PLC ± -	1 PLC ± -	DRAWING NO: 1840561		
2 PLC ± .010	3 PLC ± .005	RESTRICTED TO: -		
4 PLC ± -	ANGLES ± -	CUSTOMER DRAWING		
PRODUCT SPEC: 108-2100	APPLICATION SPEC: -	SCALE: 4:1 SHEET 1 OF 2 REV F		


726 SERIES MAGNETIC CIRCUIT 



C1=1000pF,2kV CAPACITOR  
R1-R4 = 75 OHMS, 1/16W RESISTORS



SUGGESTED PCB LAYOUT  
(Component Side)

THIS DRAWING IS A CONTROLLED DOCUMENT.		DWN: VIKIN LEE 06FEB2009		DONGGUAN CHINA
DIMENSIONS: INCHES		CHK: QUENTIN LIU 06FEB2009		
TOLERANCES UNLESS OTHERWISE SPECIFIED:		APVD: LUJUN RAO 06FEB2009	DESC: 1X4 726 10/100 TAB UP W/ LED	
0 PLC ± -		MODEL NAME: MAGJACK		
1 PLC ± .010		SIZE: A1		
2 PLC ± .005		CAGE CODE: 1840561		
3 PLC ± .005		DRAWING NO: 1840561		
4 PLC ± -		RESTRICTED TO: -		
ANGLES: ± -		CUSTOMER DRAWING		
PRODUCT SPEC: 108-2100	APPLICATION SPEC: -	SCALE: 4:1	SHEET: 2 OF 2	REV: F