

PART NAME: KNOB SCALE: 1:1 DATE: 2/4/94 DR. BY H.S.

THIS DRAWING IS THE PROPERTY OF DAVIES MOLDING COMPANY, IS SUBMITTED SOLELY AS A DESIGN OR ENGINEERING PROJECT. WE ACCEPT NO RESPONSIBILITY WHATSOEVER FOR THE PRACTICAL APPLICATION OF THE PIECES MADE TO THIS DESIGN.

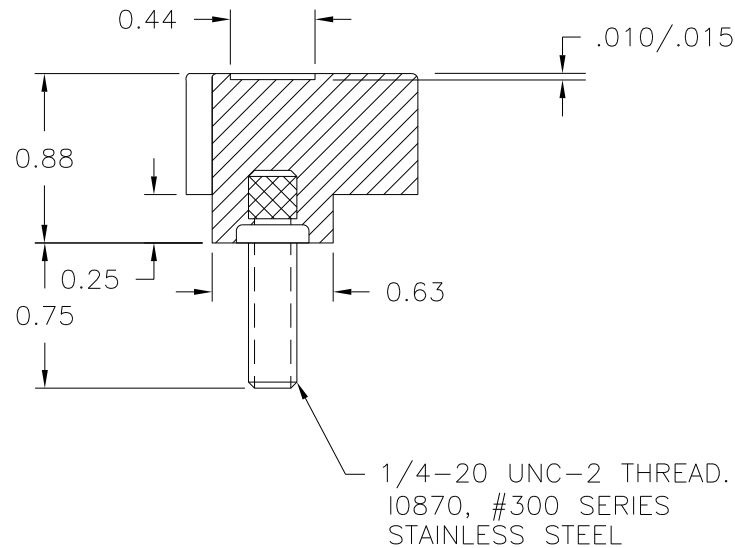
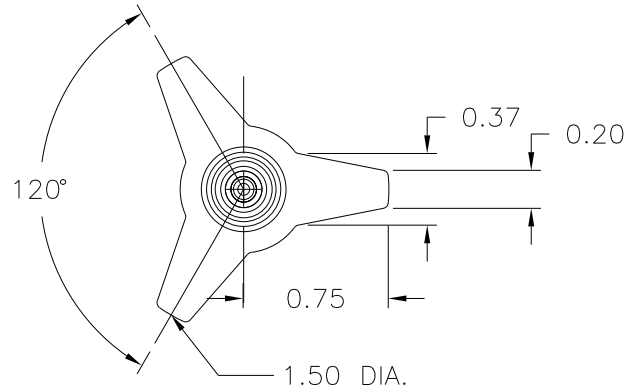


DESIGNERS & MANUFACTURERS OF KNOBS, HANDLES, CASES & CUSTOM PLASTIC COMPONENTS

P/N 3035FA

M^{NO.} 3035

| | |
|-------------|---------|
| CAVITY | 3035 |
| PLUNGER | 3035 |
| PLUNGER PIN | 3035-A |
| ① OUTER PIN | 3008-28 |
| INNER PIN | NONE |
| SHIMS | 1/4+1/8 |
| INSERT | 10870 |



MATERIAL: #2535 PLENCO PHENOLIC (B35)
 COLOR: BLACK

| | | | | |
|---|----------------------------------|---|--|-------------|
| TOLERANCES: UNLESS OTHERWISE SPECIFIED | DO NOT SCALE DRAWING | | | |
| DECIMALS: X.XXX ± .005 X.XX ± .015 | MM: X.XX ± 0.15MM X.X ± 0.4MM | - | ALL DIM. CHANGED TO DECIMALS | HD 5/13/04 |
| FRACTIONS ± 1/64 | ANG. ± 1° | A | ADDED INNER & OUTER PINS. CORRECTED TOOLING BOX | TS 10/21/02 |
| CHANGES | | | | |