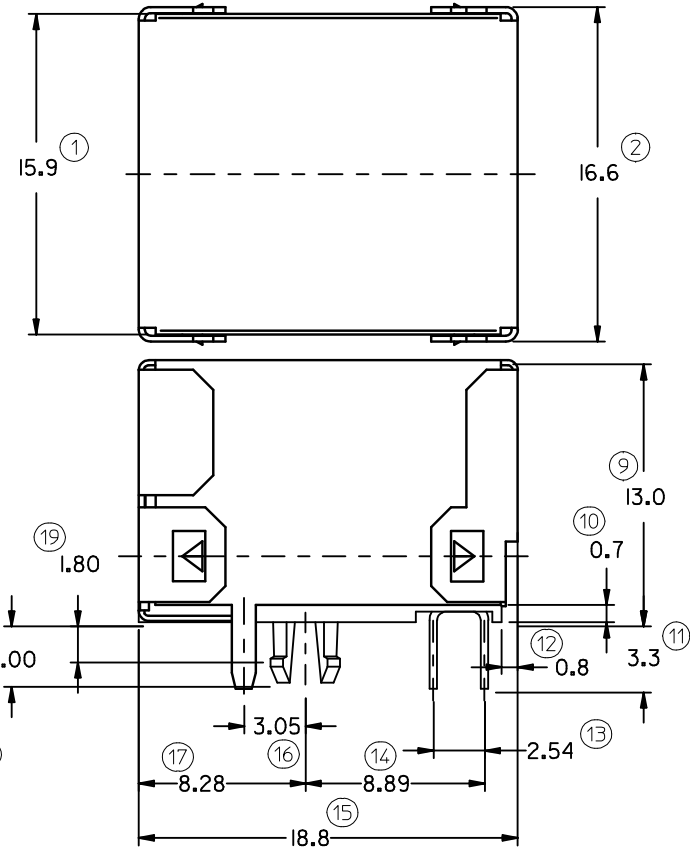
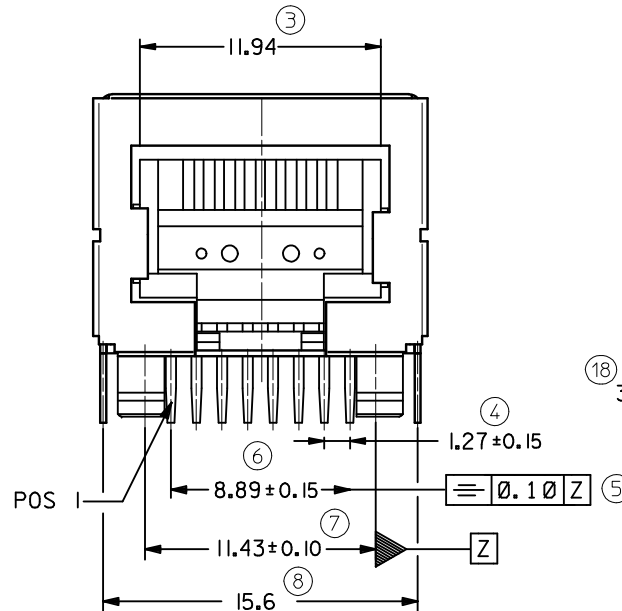
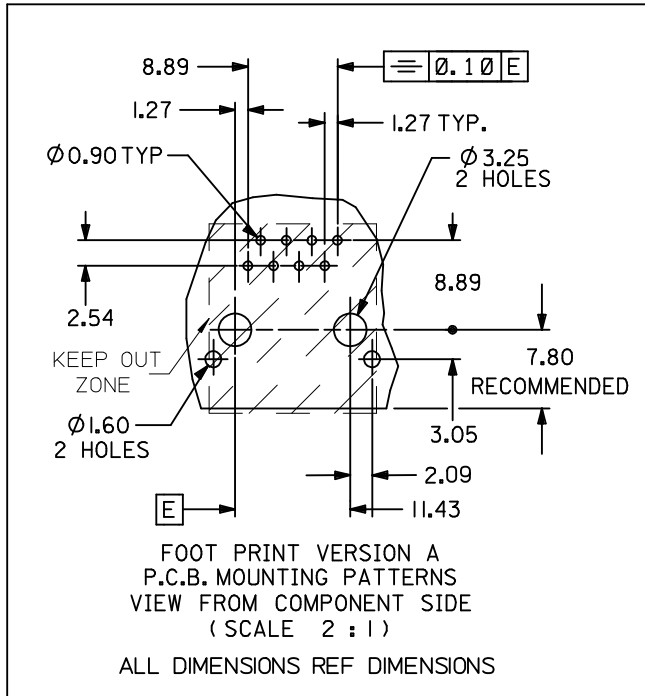


TECHNICAL SPECIFICATIONS:

I- MATERIAL :

HOUSING: LCP GLASS FILLED UL 94VO COLOR BLACK
 TERMINAL : PHOSPHOR BRONZE PLATED WITH:
 BASE FINISH: NICKEL
 CONTACT SURFACE FINISH:
 GOLD
 OR
 GOLD FLASH OVER PALLADIUM NICKEL.
 EXCEEDS PRODUCT REQUIREMENTS BASED ON PS-85543-002
 SHIELD : BRASS PLATED WITH 0.0020 MIN. TIN

ENG.N°.	FOOTPRINT VERSION	HOUSING SIZE	LOADED CKTS	PANEL GROUND	TOOLED	PACKAGING SPEC. TUBE PACKAGING.
85505-5113	A	8	8	NO	YES	PK-95122-006



NOTES:

- 1- JACK FOR MATING WITH SHIELDED PLUG MOLEX 95043 AND 85568 SERIES.
- 2- PRODUCT SPECIFICATION: MOLEX PS- 85543-002
- 3- APPLICATION SPECIFICATION: MOLEX AS-85513-001
- 4- PACKAGING SPECIFICATION: SEE CHART
- 5- P.C. BOARD THICKNESS : 1.57
- 6- EXCEEDS CATEGORY 5E PERFORMANCE.

LAST INSPECTION NUMBER: 19

CHANGED PRODUCT SPECIFICATION: EC NO: IPG2013-1149 DRW:DBYRMS 2013/02/13 CHKD:SHANAHAN 2013/02/14 APPR:STORIFFIN 2013/02/26	QUALITY SYMBOLS ▽=0 ◻=0	GENERAL TOLERANCES (UNLESS SPECIFIED)		DIMENSION STYLE MM ONLY		SCALE 4:1	DESIGN UNITS METRIC	THIRD ANGLE PROJECTION	
		mm	INCH	DRAWN BY TMARTIN	DATE 2005/03/08	TITLE HIGH SPEED MODULAR JACK R/A FULLY SHIELDED THROUGH HOLE - VERSION A			
		4 PLACES	± --- ± ---					MOLEX INCORPORATED	
		3 PLACES	± --- ± ---					DOCUMENT NO. SD-85505-106	
		2 PLACES	± 0.25 ± ---					SHEET NO. 1 OF 1	
		1 PLACE	± 0.35 ± ---					THIS DRAWING CONTAINS INFORMATION THAT IS PROPRIETARY TO MOLEX INCORPORATED AND SHOULD NOT BE USED WITHOUT WRITTEN PERMISSION	
		ANGULAR ± 2 °							
		DRAFT WHERE APPLICABLE MUST REMAIN WITHIN DIMENSIONS							