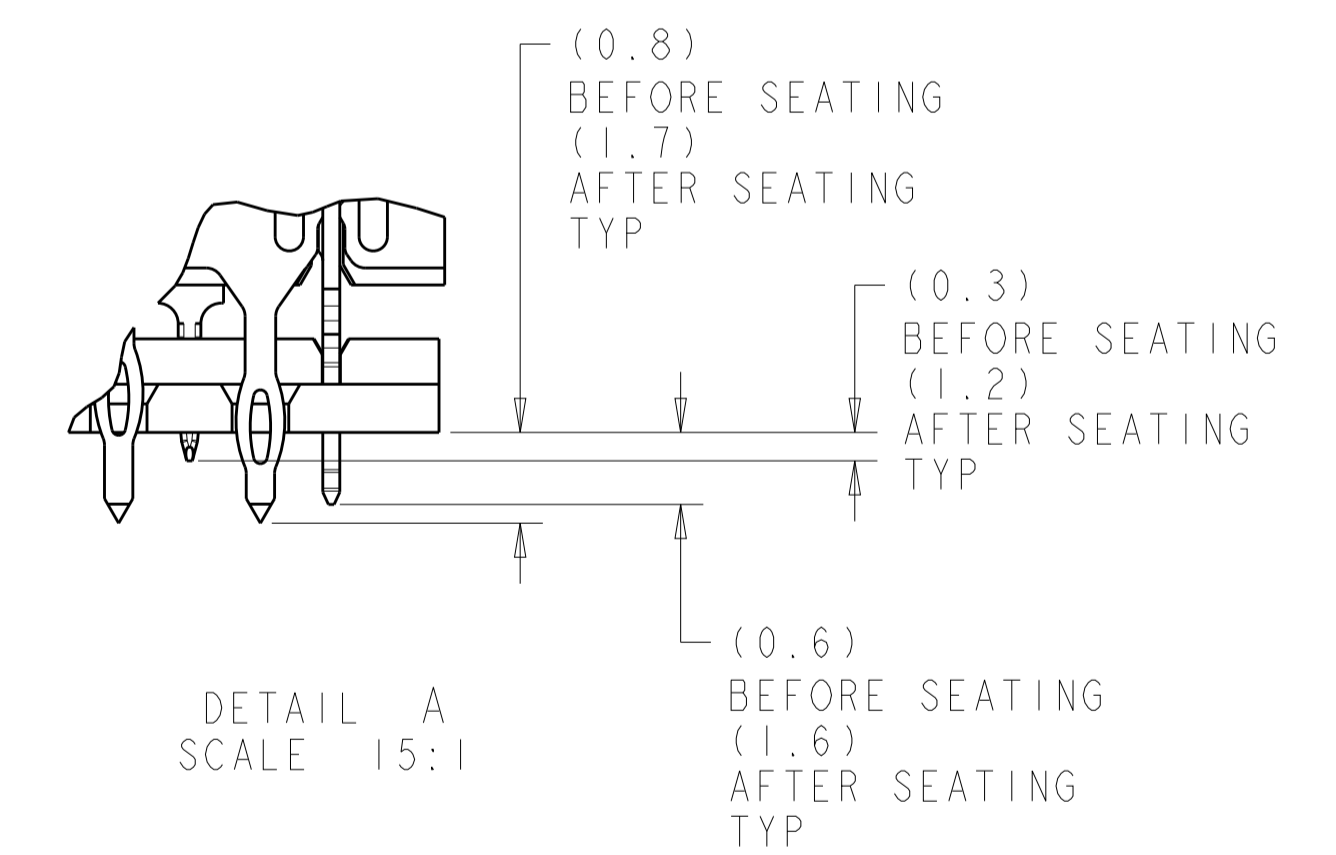
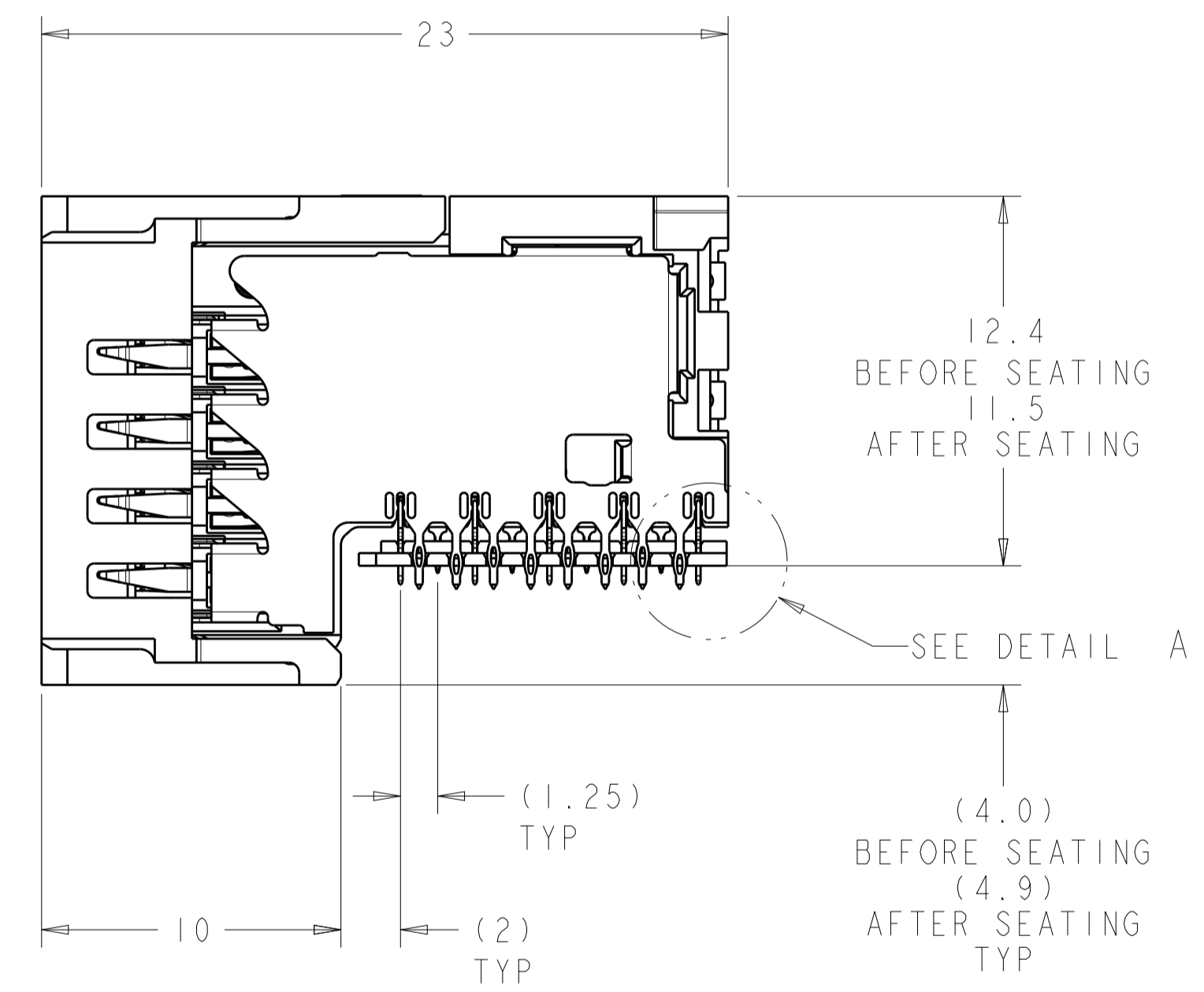
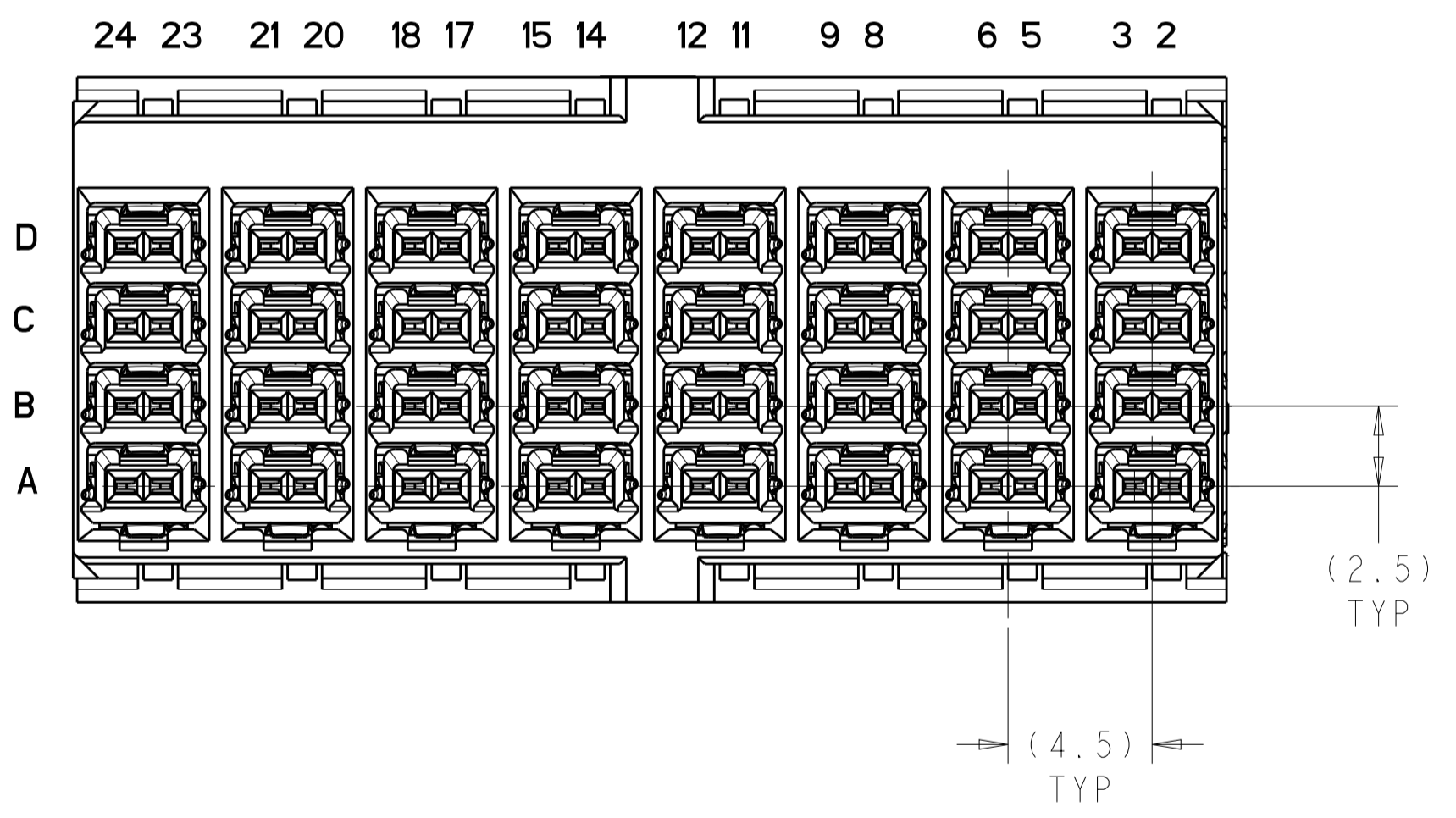
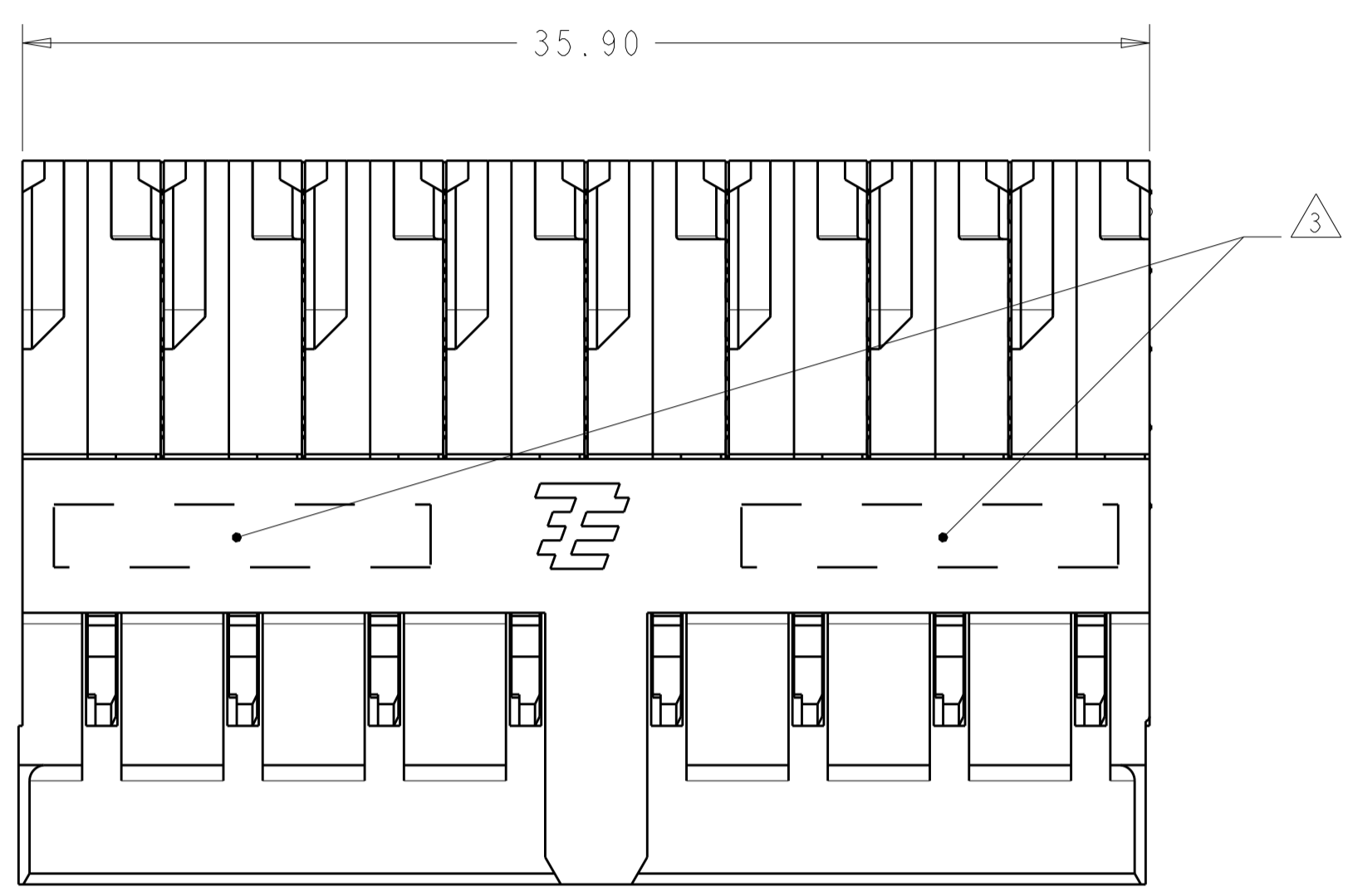


LOC		DIST		REVISIONS			
GP		00		REV	DATE	BY	CHK
A	RELEASED	25MAR2014	RT	NS			
B	REVISED PER ECO-17-004448	29MAR2017	JM	SS			

- 1. MATERIAL:
CONTACT AND SHIELD - COPPER ALLOY.
HOUSINGS, AND ORGANIZER - THERMOPLASTIC, UL 94V-0, BLACK.
- 2. CONFORMS TO REQUIREMENTS OF TE PRODUCT SPECIFICATIONS 108-2413 & 108-32037, BASED ON TELCORDIA GR-1217-CORE FOR SYSTEM QUALITY LEVEL III; APPLICATIONS IN CONTROLLED ENVIRONMENTS (CENTRAL OFFICE).
- 3. CONNECTOR MARKED WITH PART NUMBER, DATE CODE, MANUFACTURING LOCATION IDENTIFICATION CODE, AND 2D BARCODE IN APPROXIMATE AREA SHOWN
- 4. CONTACT AREA LUBRICATED WITH BELLCORE APPROVED LUBRICANT.
TECHNICAL REFERENCE: GR-1217-CORE, ISSUE 2, DECEMBER 2008.
- 5. PLATED THRU HOLE REQUIREMENTS:
FINISHED HOLE = $\varnothing 0.344 \pm 0.039$
DRILLED HOLE = $\varnothing 0.420 \pm 0.013$
COPPER THICKNESS = 0.038 ± 0.013
IMMERSION TIN IF APPLICABLE = 0.00051 ± 0.00013
- 6. PLATED THRU HOLE REQUIREMENTS:
FINISHED HOLE = $\varnothing 0.244 \pm 0.039$
DRILLED HOLE = $\varnothing 0.320 \pm 0.013$
COPPER THICKNESS = 0.038 ± 0.013
IMMERSION TIN IF APPLICABLE = 0.00051 ± 0.00013
- 7. PTH DIMENSIONS APPLY TO 1.00mm DEPTH FROM MOUNT SIDE OF PCB.
- 8. HOLE POSITION TOLERANCE APPLIES WITHIN PATTERN FOR CONNECTOR.
PATTERN TO CONNECTOR PATTERN, A 0.12 \varnothing POSITION TOLERANCE APPLIES.

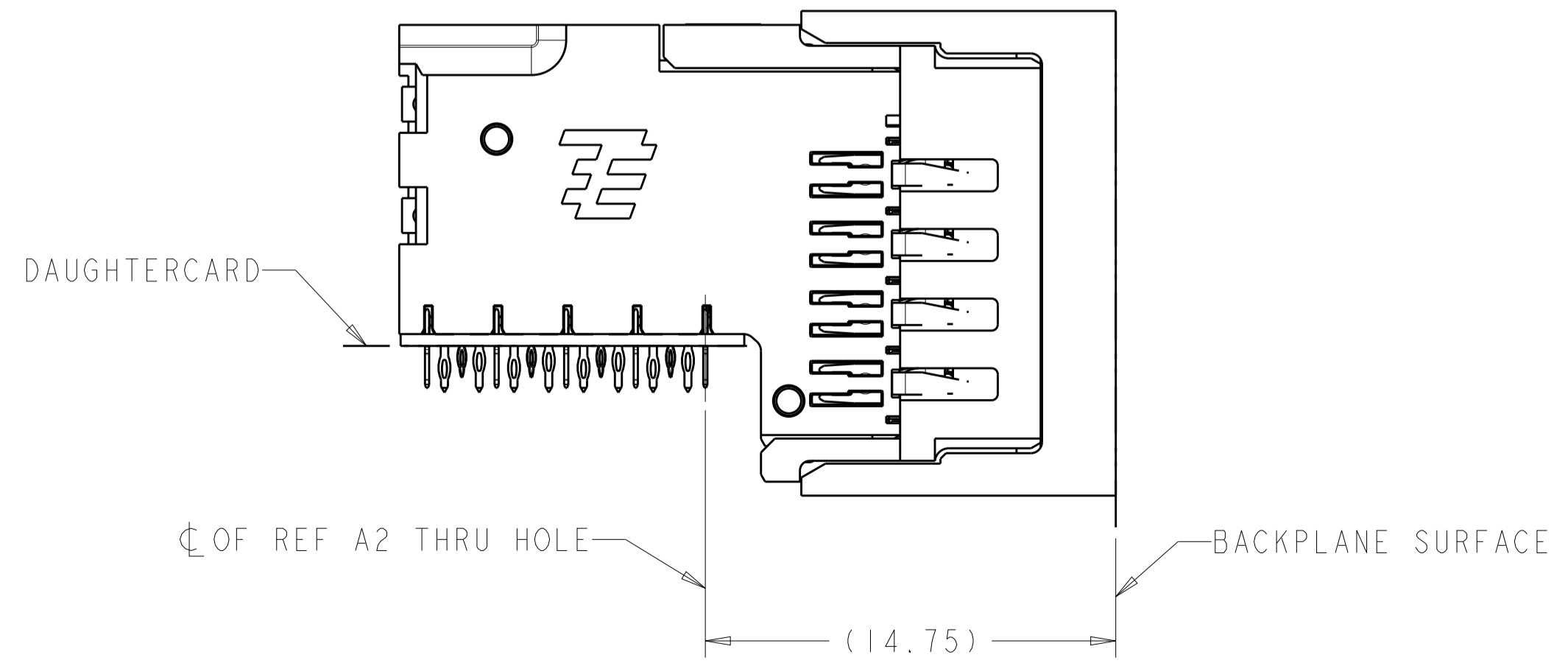
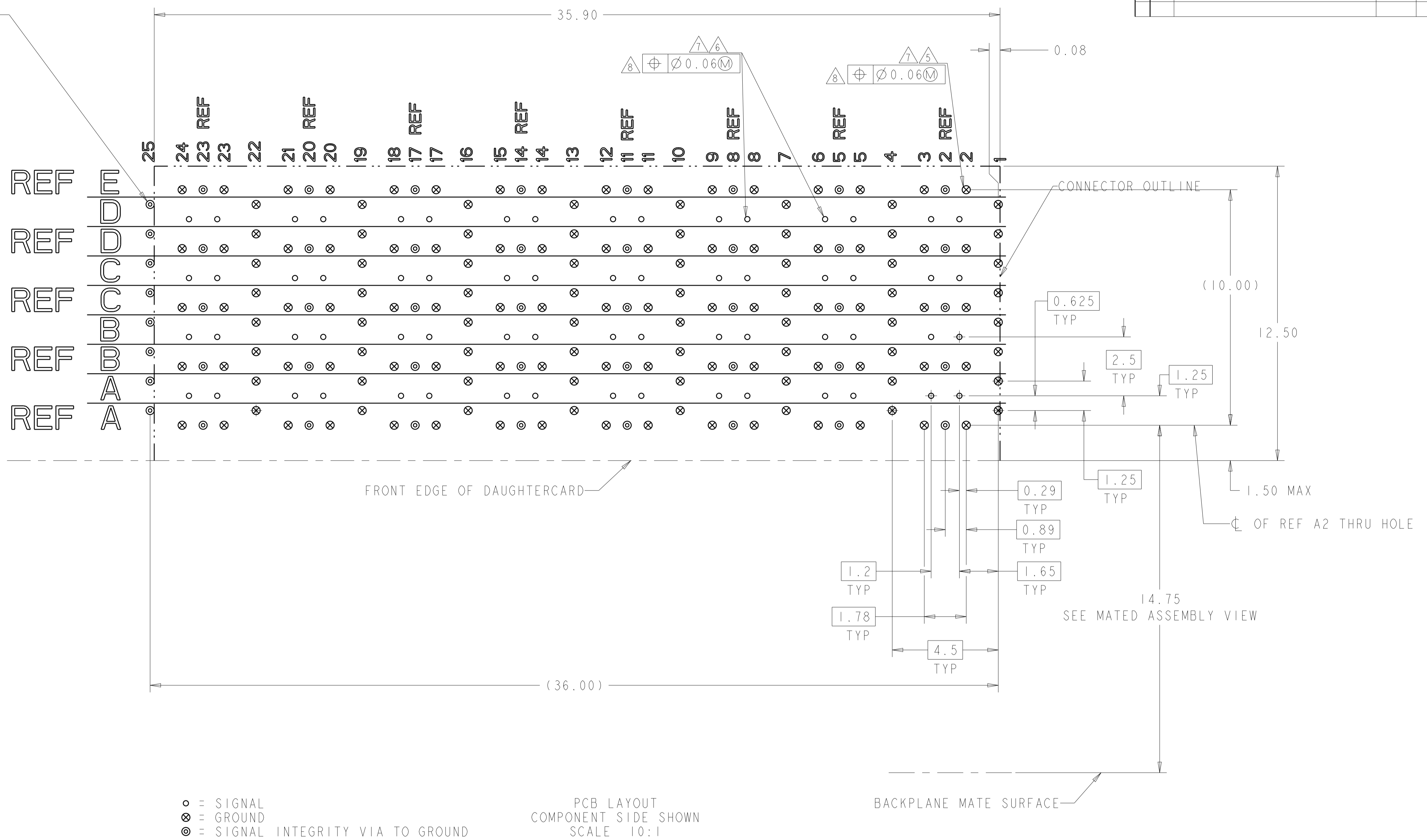


TIN	2198268-2
TIN-LEAD	2198268-1
PRESS FIT TAIL PLATING	PART NO

THIS DRAWING IS A CONTROLLED DOCUMENT.		OWN: R. THOMPSON 29NOV2011	TE Connectivity	
DIMENSIONS: mm		CHK: N. SWANGER 29NOV2011	RECEPTACLE ASSEMBLY, 4 PAIR 8 COLUMN, RIGHT ANGLE, 4.5mm PITCH, STRADA WHISPER 360	
TOLERANCES UNLESS OTHERWISE SPECIFIED:		APVD: N. SWANGER 29NOV2011	SIZE: A1 00779 C=2198268	
0 PLC ± 0.2		PRODUCT SPEC: Δ	SCALE: 5:1 SHEET 1 OF 2 REV B	
1 PLC ± 0.2		APPLICATION SPEC: 114-13301		
2 PLC ± 0.08		WEIGHT: -		
3 PLC ± 0.08		Customer Drawing		
4 PLC ± 0.13				
ANGLES: \pm				
FINISH: SEE TABLE				

LOC		DIST		REVISIONS				
GP	00	P	LYR	DESCRIPTION	DATE	OWN	APVD	
		-		SEE SHEET 1				

FOOTPRINT SHOWN IS FOR SINGLE MODULE APPLICATION. WHEN CONNECTORS ARE STACKED SIDE BY SIDE, THESE SI VIAS ARE USED AS GROUNDS BY THE NEXT CONNECTOR



MATED ASSEMBLY VIEW
SCALE 5:1

THIS DRAWING IS A CONTROLLED DOCUMENT.		OWN: R. THOMPSON 29NOV2011	TE Connectivity
DIMENSIONS: mm		CHK: N. SWANGER 29NOV2011	
TOLERANCES UNLESS OTHERWISE SPECIFIED:		APVD: N. SWANGER 29NOV2011	NAME: RECEPTACLE ASSEMBLY, 4 PAIR 8 COLUMN, RIGHT ANGLE, 4.5mm PITCH, STRADA WHISPER 360
0 PLC ±0.2	1 PLC ±0.2	PRODUCT SPEC: 2	SIZE: 114-13301
2 PLC ±0.08	3 PLC ±0.13	APPLICATION SPEC:	WEIGHT: -
4 PLC ±	ANGLES ±	FINISH: -	RESTRICTED TO: A1
MATERIAL: SEE TABLE	FINISH: -	WEIGHT: -	SCALE: 5:1
Customer Drawing		Customer Drawing	SHEET 2 OF 2