



MODEL: RC-1506S
PRODUCT: Dynamic Receiver
EDITION: A/2016

THIS SPECIFICATION COVERS OUR PRODUCT OF DYNAMIC RECEIVER UNIT FOR MOBILE TELEPHONE USE

RECEIVER ELECTROACOUSTIC CHARACTERISTICS

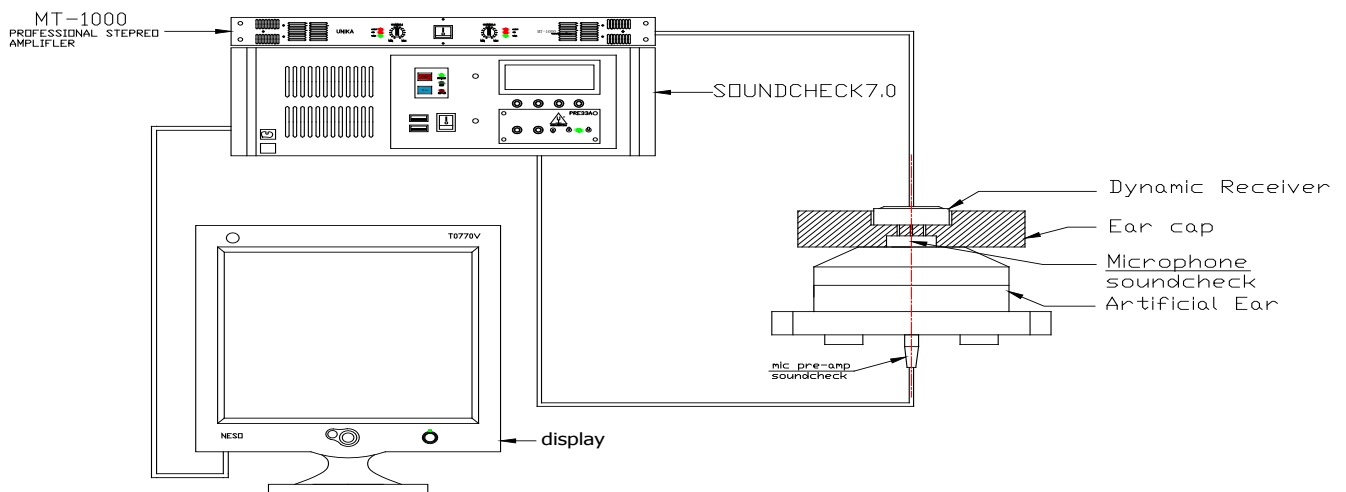
sound pressure level	108±3dB SPL @1KHz (0dB SPL=20μPa)
input voltage	179mV (Sine wave) measured with IEC318 coupler
resonance frequency (FO)	650±20%Hz at 400mVrms Sine Wave
measuring diagram	Shown in Fig.1
earpiece view	Show in Fig.2
typical frequency response curve	Shown in Fig.3.
rated noise power	20mW.
short-term max.power	50mW
distortion	<5% @ 1KHz Input 179mV
operation test	Must be free audible noise (buzzes and rattles) (300 ~ 3400Hz frequency range ,input level up to 0.8Vrms)

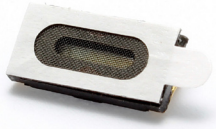
GENERAL SPECIFICATIONS

operating temperature range	-20°C ~ +60°C
storage temperature range	-20°C ~ +60°C
dc resistance	28±10%Ω
ac impedance	32±20%Ω
dimension	15 x 6 x 4.5 mm

TYPICAL FREQUENCY RESPONSE CURVE

FREQUENCY MEASURING CIRCUIT (RECEIVER MODE) (Fig.1)

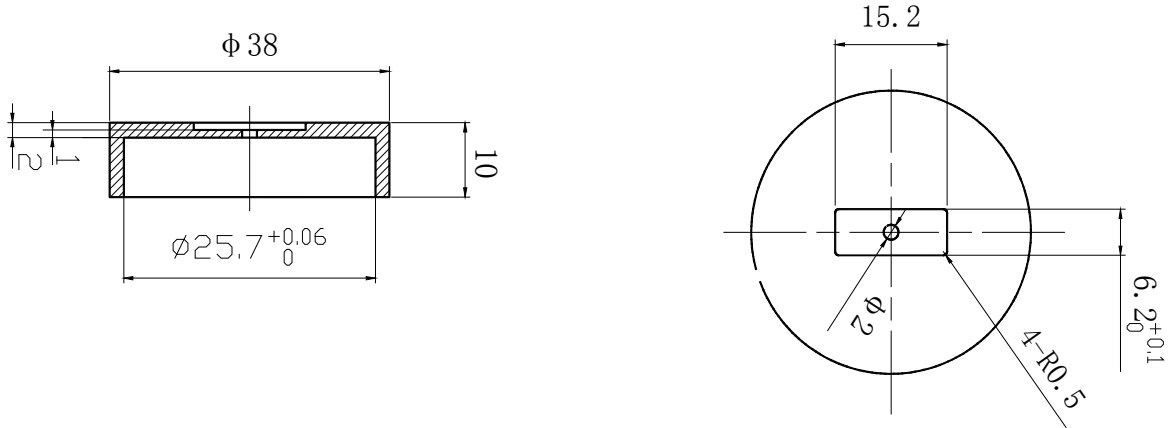




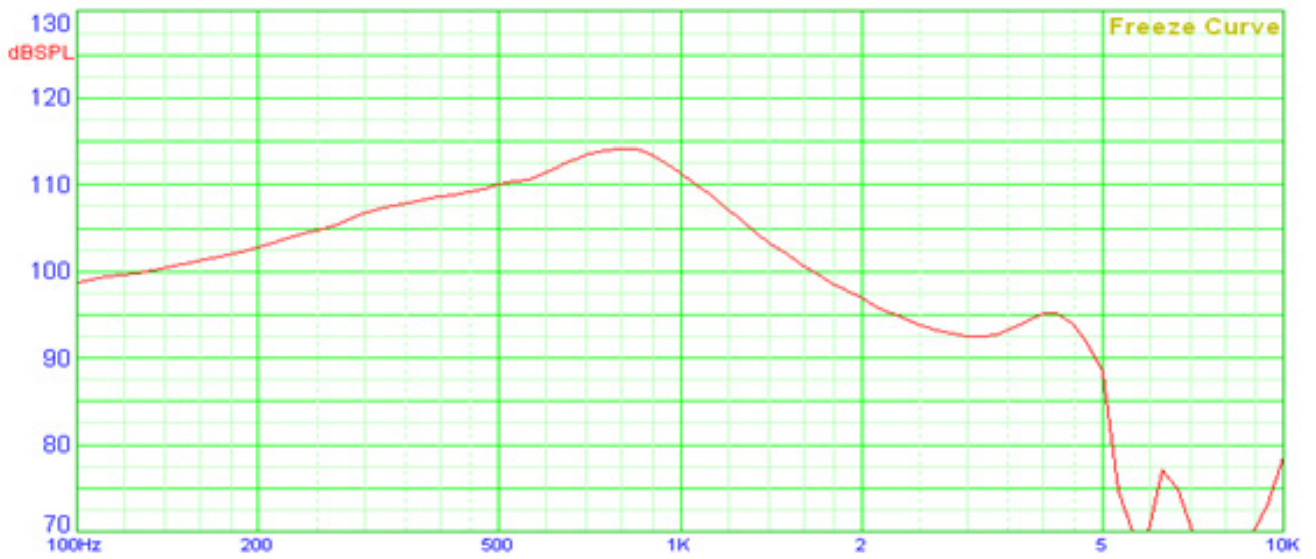
MODEL: RC-1506S
PRODUCT: Dynamic Receiver
EDITION: A/2016

TYPICAL FREQUENCY RESPONSE CURVE (Continued)

EARPIECE VIEW (Fig.2)



TYPICAL FREQUENCY RESPONSE CURVE (RECEIVER MODE) (Fig.3)





MODEL: RC-1506S
PRODUCT: Dynamic Receiver
EDITION: A/2016

Soberton Inc.

TEST CLIMATIC CONDITIONS

STANDARD TEST CONDITIONS

temperature	15~35°C
relative humidity	25%~75%(RH)
air pressure	86~106KPa

JUDGEMENT CONDITIONS

temperature	20±1°C
relative humidity	63%~67%(RH)
air pressure	86~106KPa

RELIABILITY TESTS

The sound pressure as specified shall neither deviate more than $\pm 3\text{dB}$ from the initial value, nor any significant damage after any of following testing.

HIGH TEMPERATURE TEST

high temperature	+65±2°C
duration	96 hours

LOW TEMPERATURE TEST

low temperature	-40±2°C
duration	96 hours

HEAT SHOCK TEST (See in Fig.4)

high temperature	+65±2°C
low temperature	-40±2°C
changeover time	< 30 seconds
duration	1 hour
cycle	10

HUMIDITY TEST

temperature	+40±2°C
relative humidity	90~95%
duration	2 hours

TEMPERATURE CYCLE TEST (See in Fig.5)

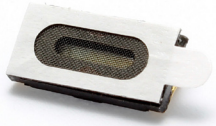
temperature	-40°C	+75°C
duration	45 minutes	45 minutes
temperature gradient	1~3°C/min.	
cycle	5	

DROP TEST

mounted with dummy set mass	100 g
height	1.5 m
cycle	6 (1 each plain) onto the concrete board

LOAD TEST

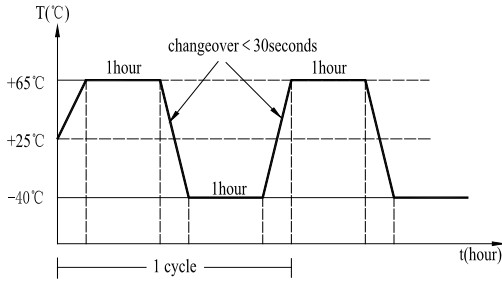
noise signal	White noise (EIA filter)
input power	20mW 0.8Vrms White noise single(White noise with JIS filter) 1 minute, 10 times at intervals
duration	96 hours



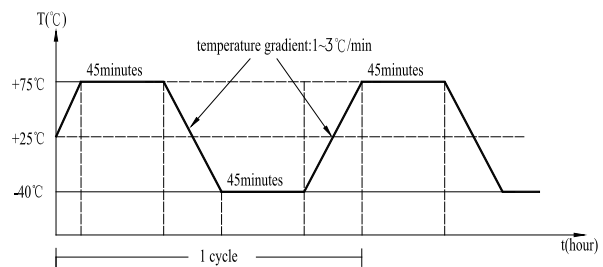
MODEL: RC-1506S
PRODUCT: Dynamic Receiver
EDITION: A/2016

TEST METHOD

HEAT SHOCK TEST (Fig. 4)

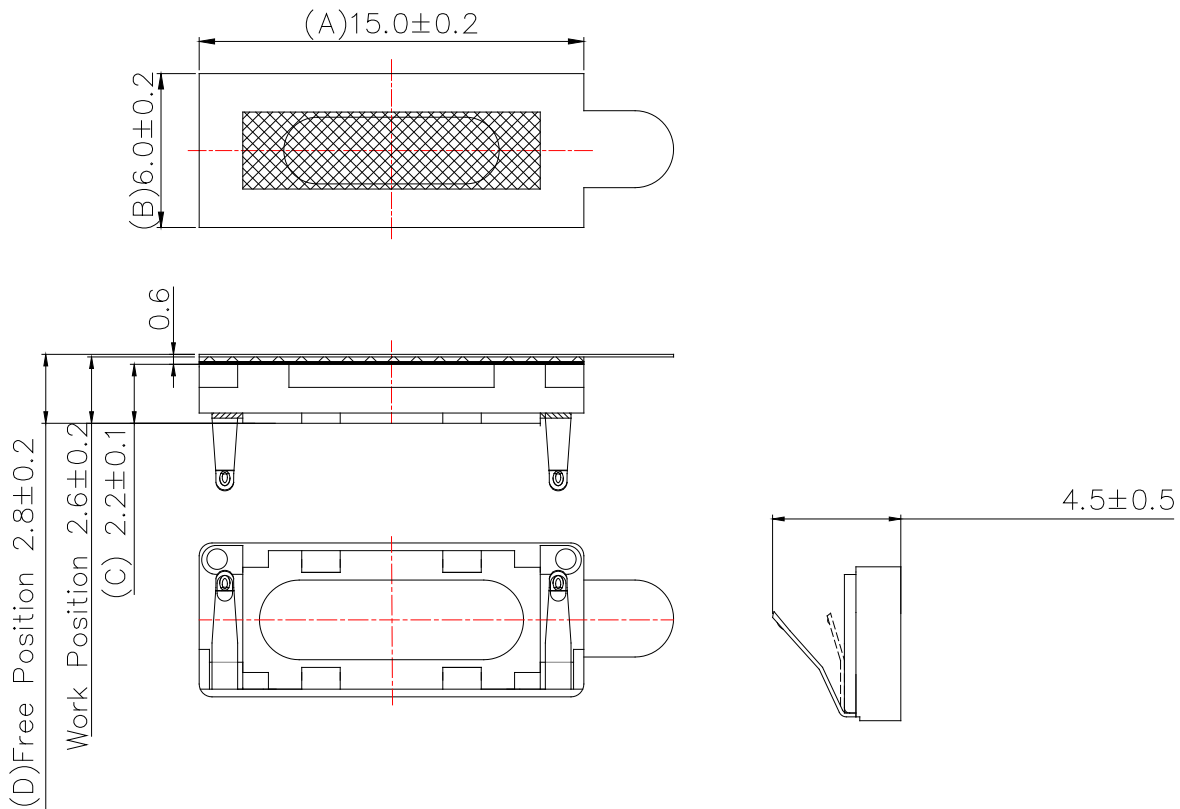


TEMP. CYCLE TEST (Fig. 5)



PRODUCT EXTERNAL VIEW AND DIMENSIONS (Fig. 6)

Tolerance ± 0.2 (unit = mm)



no	item	material	quantity
1	Magnet	Nd-Fe-B	1
2	U-Yoke	Iron	1
3	Pole Piece	Iron	1
4	Terminal	PEI	1
5	Membrane	Steel	1
6	Voice Coil	Copper	1
7	Frame	PBT+15%GF	1
8	Front Cover	SUS304	1
9	Screen	Net Cloth	1



MODEL: RC-1506S
PRODUCT: Dynamic Receiver
EDITION: A/2016

Soberton Inc.

PACKING

