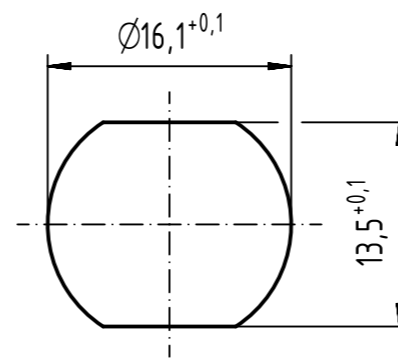


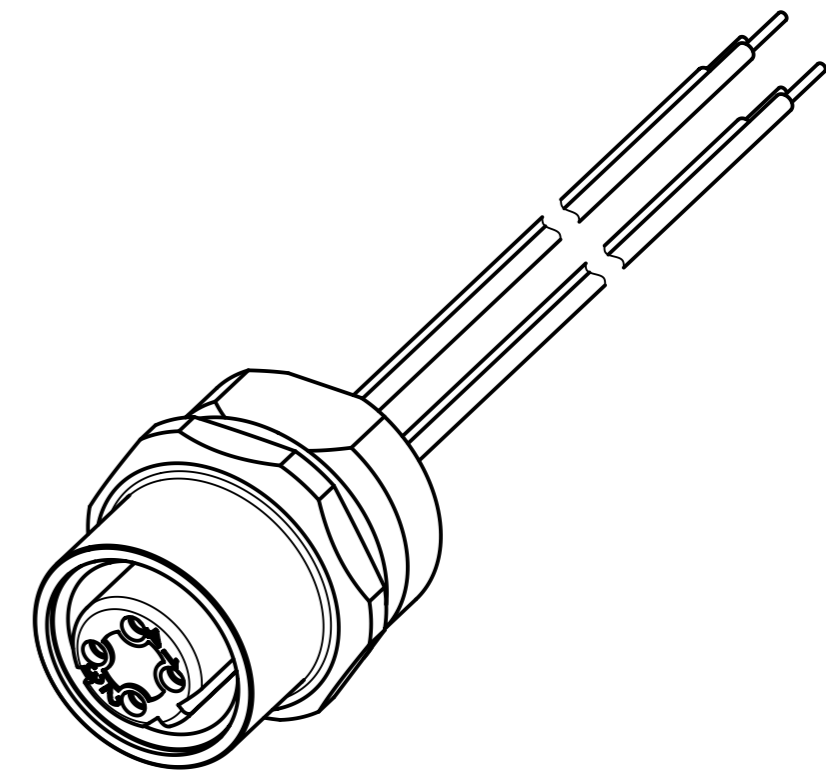
Loading-Plan:

- 1 — yellow
- 2 — white
- 3 — orange
- 4 — blue

Recommended panel cut-out



Minimum wall thickness 1.5mm



- Protection level: IP67
- Temperature range: -30°C ... +80°C

1	21033752400	AWG 22, PVC	0.5
Cont. No.	Part - no.	Type of cable	Dim. a[m]

	All rights reserved		Scale 2:1		Free size tol.		Ref.		
	Department EC PD - RO		Created by TAMAS	Inspected by AVRAM	Standardisation HOFFMANN	Date 2014-08-25	State Final Release		
HARTING Electronics GmbH D-32339 Espelkamp			Title M12 D-coded Cable Assembly				Doc-Key / ECM-Nr. 100587001/UGD/009/B 50000079096		
			Type TB	Number 210337524XX		Rev. B		Page 1/1	