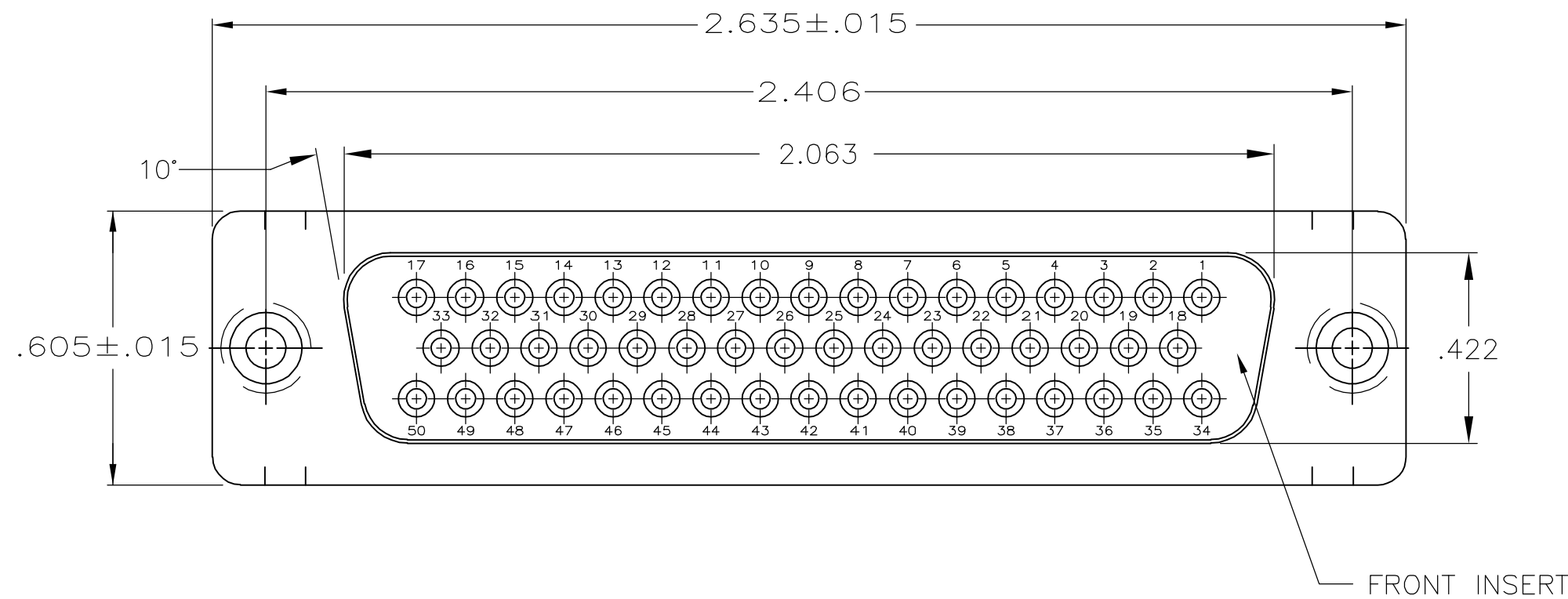
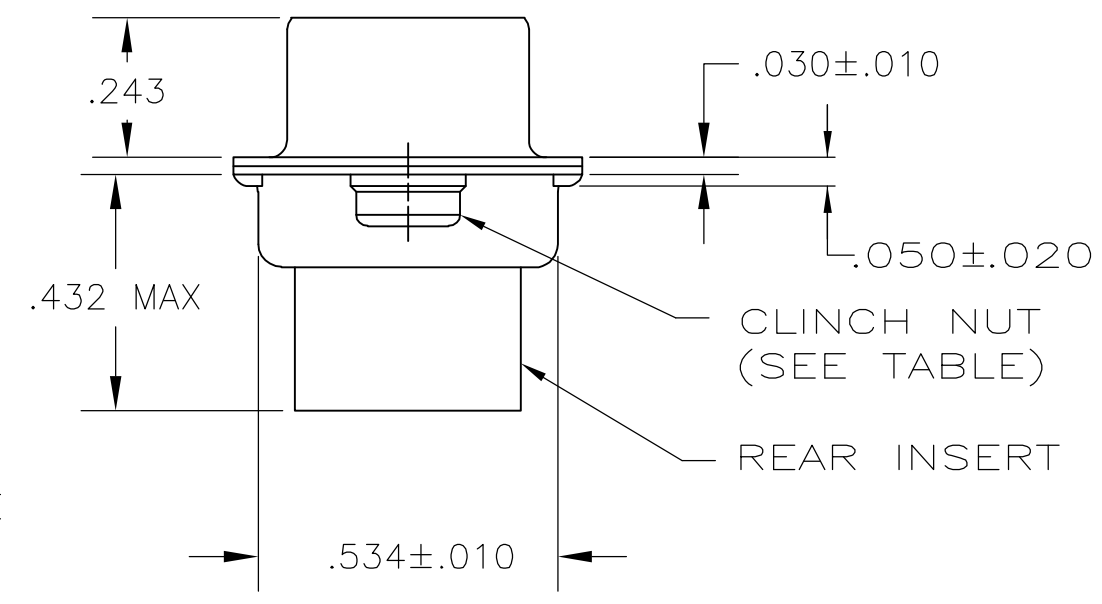
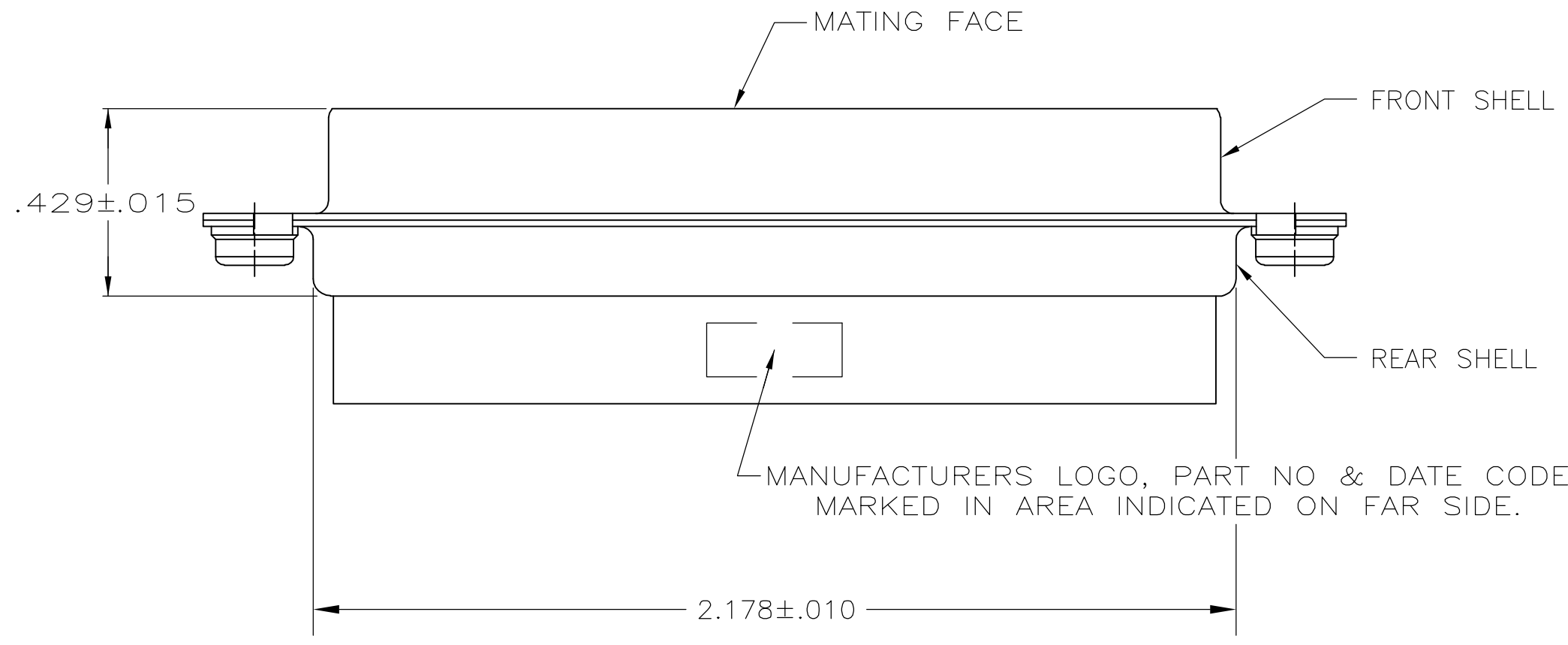


THIS DRAWING IS UNPUBLISHED. RELEASED FOR PUBLICATION  
 © COPYRIGHT BY TYCO ELECTRONICS CORPORATION. ALL RIGHTS RESERVED.

LOC	DIST	REVISIONS					
GP	00	P	LTR	DESCRIPTION	DATE	DWN	APVD
		A		REVISED PER EC 0513-0234-05	21FEB06	JG	CR



- 1. CONNECTOR ACCEPTS SIZE 20 DF SOCKET CONTACTS, RETENTION TINES ARE AN INTEGRAL PART OF INSERT.
- ② INSERTS: UL 94V-0 RATED GLASS FILLED NYLON, BLACK. SHELLS & CLINCH NUTS: CARBON STEEL PER ASTM A109.
- ③ SHELLS: .000200 MIN TIN OVER .000100 MIN COPPER.
- ④ BLACK INSERT, ZINC PLATED CLEAR CHROMATE COATING.
- ⑤ BLUE INSERT, ZINC PLATED YELLOW CHROMATE COATING.



⑤	M3	5745884-2
④	4-40	5745884-1
CLINCH NUT FINISH	CLINCH NUT THREAD	PART NO

THIS DRAWING IS A CONTROLLED DOCUMENT.		DWN L. VARELA - DOCK5 12-21-04	Tyco Electronics Corporation Harrisburg, PA 17105-3608	
DIMENSIONS: INCHES	TOLERANCES UNLESS OTHERWISE SPECIFIED:	CHK J. GERACE 12-21-04	NAME M. WALMSLEY 12-21-04	
	0 PLC ± -	APVD M. WALMSLEY 12-21-04	PRODUCT SPEC 108-40005	
	1 PLC ± -		APPLICATION SPEC 114-40030	
	2 PLC ± -		SIZE A2	CAGE CODE 00779
	3 PLC ± .005		DRAWING NO C=5745884	
	4 PLC ± -		RESTRICTED TO -	
	ANGLES ± -		SCALE 4:1	SHEET 1 of 1
MATERIAL	FINISH SHELLS: ③ CLINCH NUTS: SEE TABLE	WEIGHT -	REV A	
		CUSTOMER DRAWING		

5745884