

THIS DRAWING IS UNPUBLISHED.

RELEASED FOR PUBLICATION JUNE , 2005.

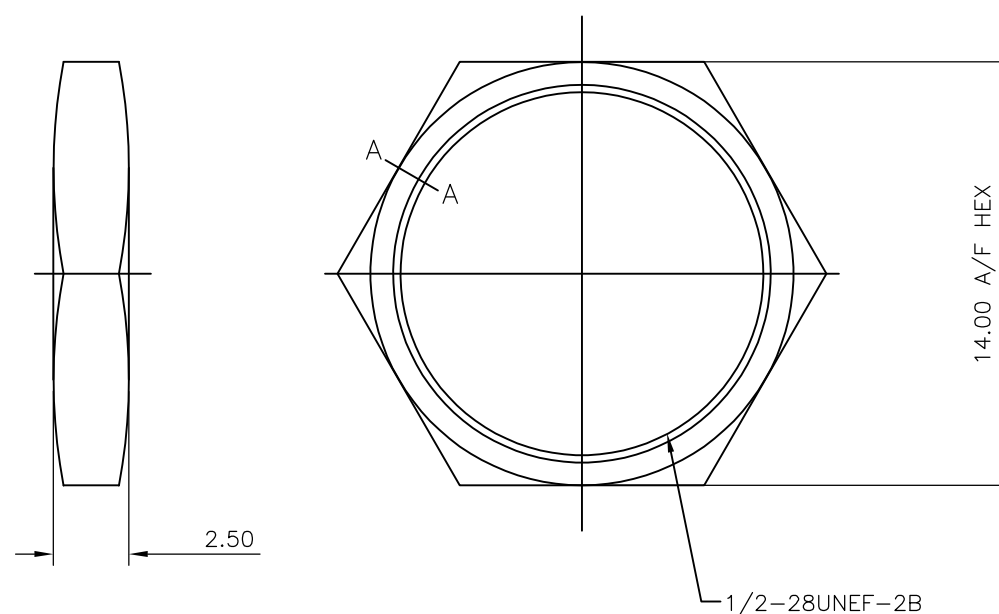
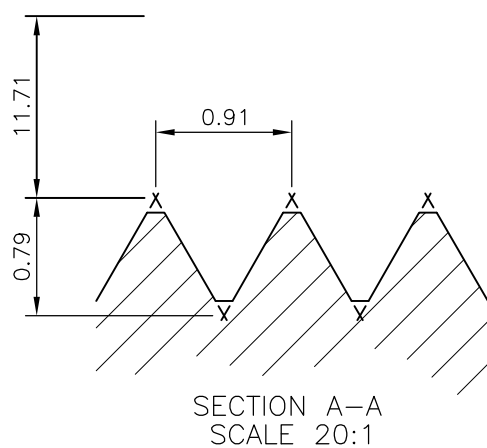
© COPYRIGHT 2005 By -

ALL RIGHTS RESERVED.

| LOC | DIST | REVISIONS | | | |
|-----|------|-------------|---------------------------|---------|--------|
| P | LTR | DESCRIPTION | DATE | DWN | APVD |
| E | B | A1 | REVISED PER ECO-11-005033 | 01APR11 | RK HMR |

NOTES:

- 1 SINGLE PACK IN ACCORDANCE WITH AMP SPEC 107-3275
- 2 Ni PLATING OVER Cu PLATING
- 3 FOR TECHNICAL DATA REFER TO YOUR LOCAL TE CONNECTIVITY SALES OFFICE
- 4. ALL DIMENSIONS ARE NOMINAL FOR REFERENCE ONLY UNLESS OTHERWISE STATED



| | | | |
|----------|------------|------------|---------------|
| 1 | BRASS | △ | HEXAGONAL NUT |
| 1--0 | MATERIAL | | DESCRIPTION |
| △ | PARTS LIST | | |
| QUANTITY | | PARTS LIST | |

| | | | | |
|--|--|------------------|----------------|---------|
| THIS DRAWING IS A CONTROLLED DOCUMENT. | | DWN | J.SANDWELL | 08JAN04 |
| DIMENSIONS: mm | | CHK | S.PARLOW | 28JUN05 |
| TOLERANCES UNLESS OTHERWISE SPECIFIED: | | APVD | F.WHEELER-KING | 28JUN05 |
| 0 PLC ± - | | PRODUCT SPEC | - | |
| 1 PLC ± - | | APPLICATION SPEC | - | |
| 2 PLC ± - | | WEIGHT | - | |
| 3 PLC ± - | | CUSTOMER DRAWING | | |
| 4 PLC ± - | | SCALE | NTS | |
| ANGLES ± - | | SHEET | 1 OF 1 | |
| FINISH | | REV | A1 | |
| SEE TABLE | | | | |

| | | | |
|-----------------------|-----------|------------|---------------|
| | | | |
| TE Connectivity | | | |
| NAME | | | |
| BNC/TNC HEXAGONAL NUT | | | |
| SIZE | CAGE CODE | DRAWING NO | RESTRICTED TO |
| A3 | 00779 | C-1634816 | - |