

NOTES:

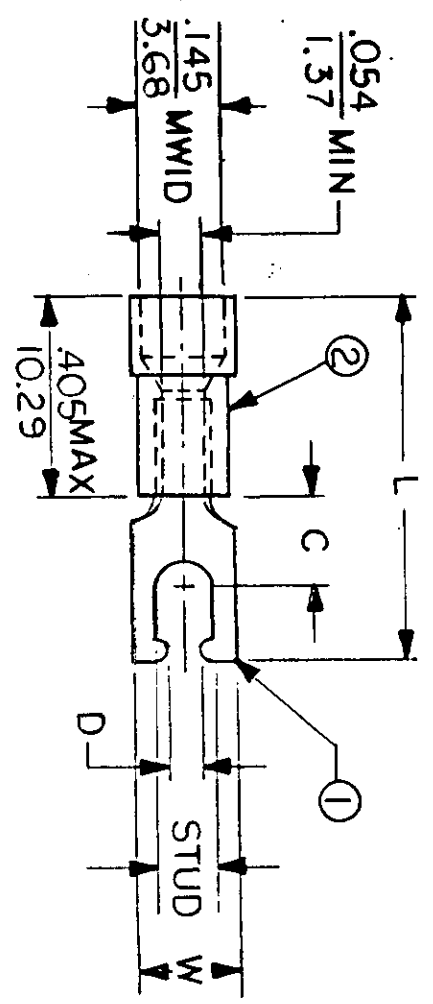
- ① MAT'L: COPPER (STOCK TKN. $\frac{.031}{.79}$)
- PLATING: ELECTRO-TIN (.0003 MIN.)
- ② INSULATION: MOLDED PVC (RED)

STUD SIZES: ($\pm .005$)

- 02 = .094
- 04 = .119
- 06 = .146
- 08 = .173
- 10 = .198
- 14 = .265
- 56 = .328
- 38 = .390

"UL" LISTING #E32244
 "CSA" LISTING #18689

ALL DIMENSIONS = $\frac{\text{INCHES}}{M}$



MWID = MAXIMUM WIRE
 INSULATION DIAMETER
 WIRE SIZE: 22 - 18 AWG
 WIRE SIZE: .25 - 1.5 MM²

PART NUMBER	"W" .010	"C" MIN.	"L" MAX.	"D" $\pm .005$	AVAILABLE STUD SIZES	DIMENSIONAL TOLERANCES UNLESS OTHERWISE SPECIFIED		REFERENCE	SCALE:	NTS	DATE	TITLE:	DWG. NO.	CUSTOMER DWG.
						DEC.	ANG.							
AA-2190-	.260 6.60	.235 5.95	.870 22.10	.111 2.82	06X						11.5.84	SNAP SPADE TONGUE TERMINAL INSULKRIMP 200 SERIES	A	
AA-2191-	.290 7.37	.235 5.95	.880 22.35	.137 3.48	08X						11.6.84	SNAP SPADE TONGUE TERMINAL INSULKRIMP 200 SERIES	A	
AA-2192-	.328 8.33	.235 5.95	.930 23.62	.163 4.14	10X							SNAP SPADE TONGUE TERMINAL INSULKRIMP 200 SERIES	A	

