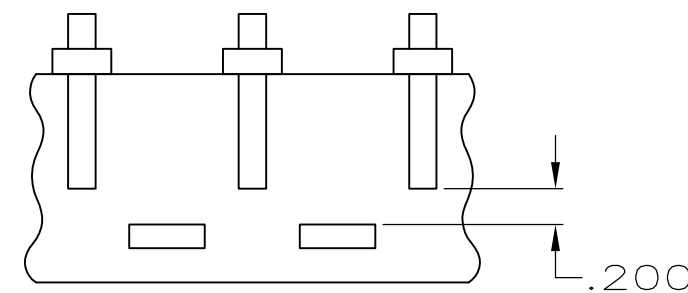
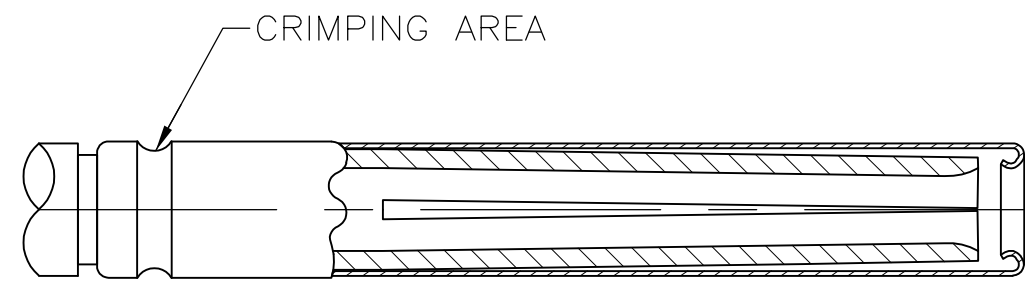


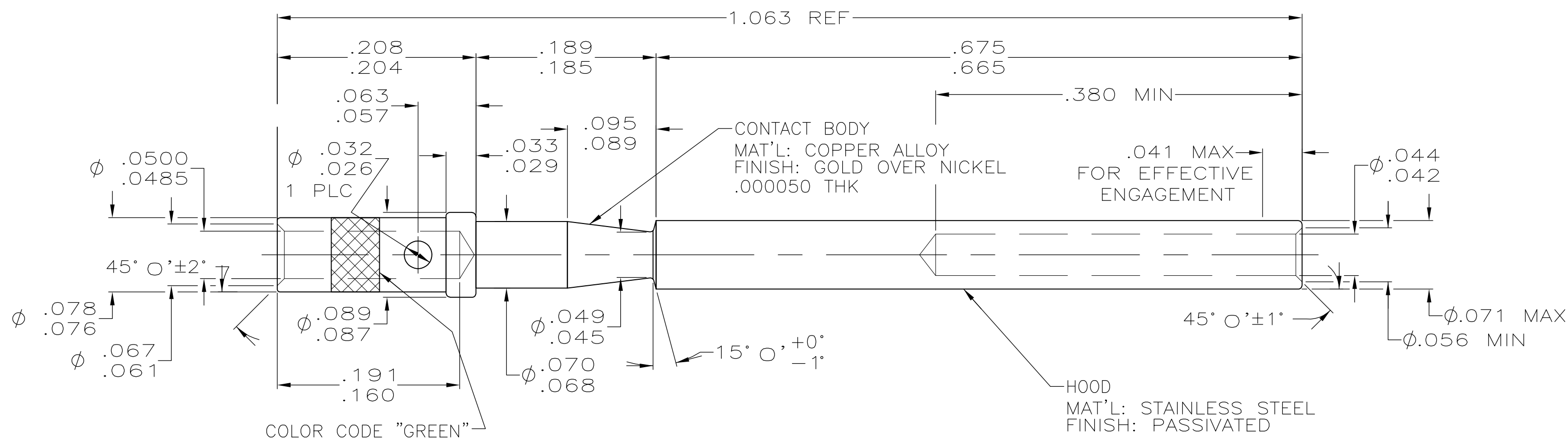
THIS DRAWING IS UNPUBLISHED. RELEASED FOR PUBLICATION
 © COPYRIGHT - By - ALL RIGHTS RESERVED.

LOC		DIST		REVISIONS			
P	LTR	DESCRIPTION	DATE	DWN	APVD		
DF	A0						
	N	REV PER ECO-11-021550	09NOV11	PY	DE		



ALTERNATE HOOD VIEW

TAPE MT'D ASS'Y
203841-2 ONLY



1. WIRE RANGE: 20-24
2. DIMENSIONS APPLY AFTER PLATING.
3. CRIMPING OF HOOD ALLOWABLE AS AN ALTERNATE FORM OF RETENTION.

TAPE MOUNTED	203841-2
LOOSE PIECE	203841-1
REMARKS	PART NUMBER

THIS DRAWING IS A CONTROLLED DOCUMENT.		DWN	C.C.THOMAS	3-12-02																		
DIMENSIONS: INCHES		CHK	J.MARKEY	3-12-02																		
TOLERANCES UNLESS OTHERWISE SPECIFIED:		APVD	J.MARKEY	3-12-02																		
<table border="1"> <tr><td>0 PLC</td><td>±</td><td>-</td></tr> <tr><td>1 PLC</td><td>±</td><td>-</td></tr> <tr><td>2 PLC</td><td>±</td><td>-</td></tr> <tr><td>3 PLC</td><td>±</td><td>.005</td></tr> <tr><td>4 PLC</td><td>±</td><td>-</td></tr> <tr><td>ANGLES</td><td>±</td><td>-</td></tr> </table>		0 PLC	±	-		1 PLC	±	-	2 PLC	±	-	3 PLC	±	.005	4 PLC	±	-	ANGLES	±	-	PRODUCT SPEC	
0 PLC	±	-																				
1 PLC	±	-																				
2 PLC	±	-																				
3 PLC	±	.005																				
4 PLC	±	-																				
ANGLES	±	-																				
MATERIAL	SEE CALLOUT	FINISH	SEE CALLOUT	WEIGHT	-																	
CUSTOMER DRAWING		SCALE	10:1	SHEET	1 OF 1																	
		SIZE	A2	CAGE CODE	00779																	
		DRAWING NO	C=203841		RESTRICTED TO																	
		REV	N																			