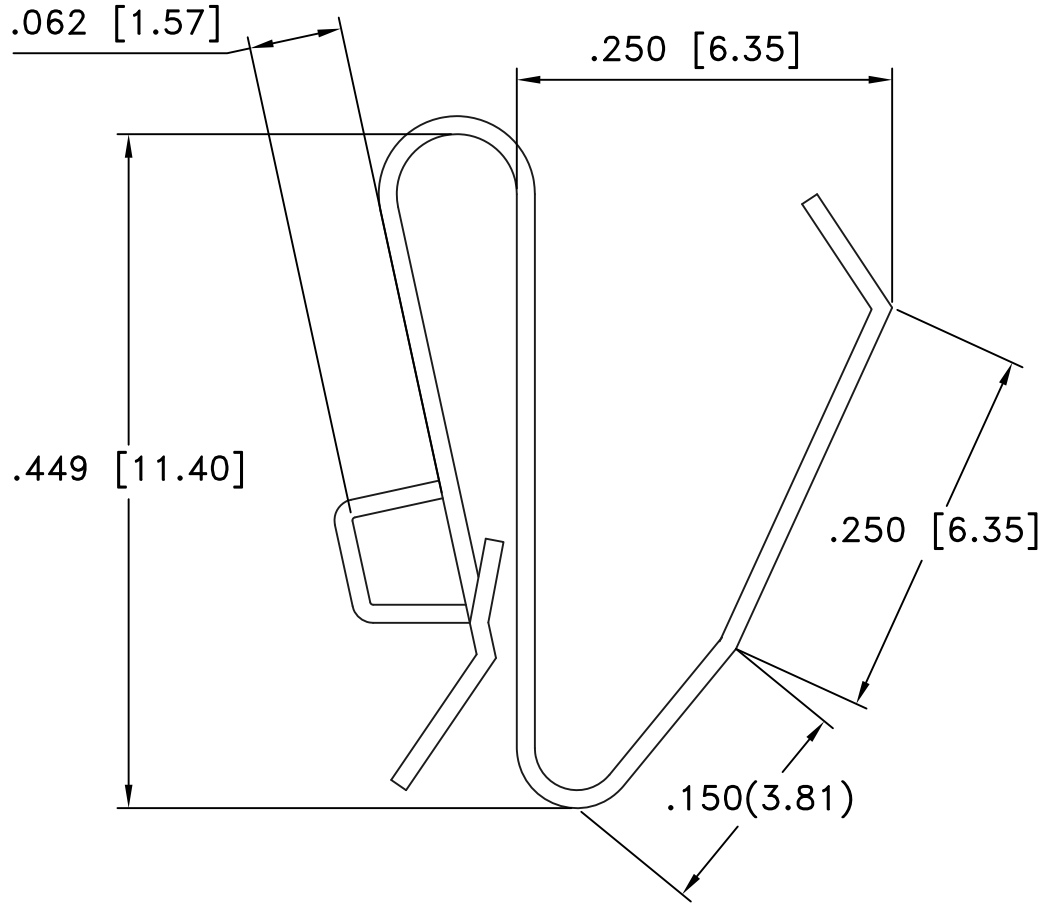
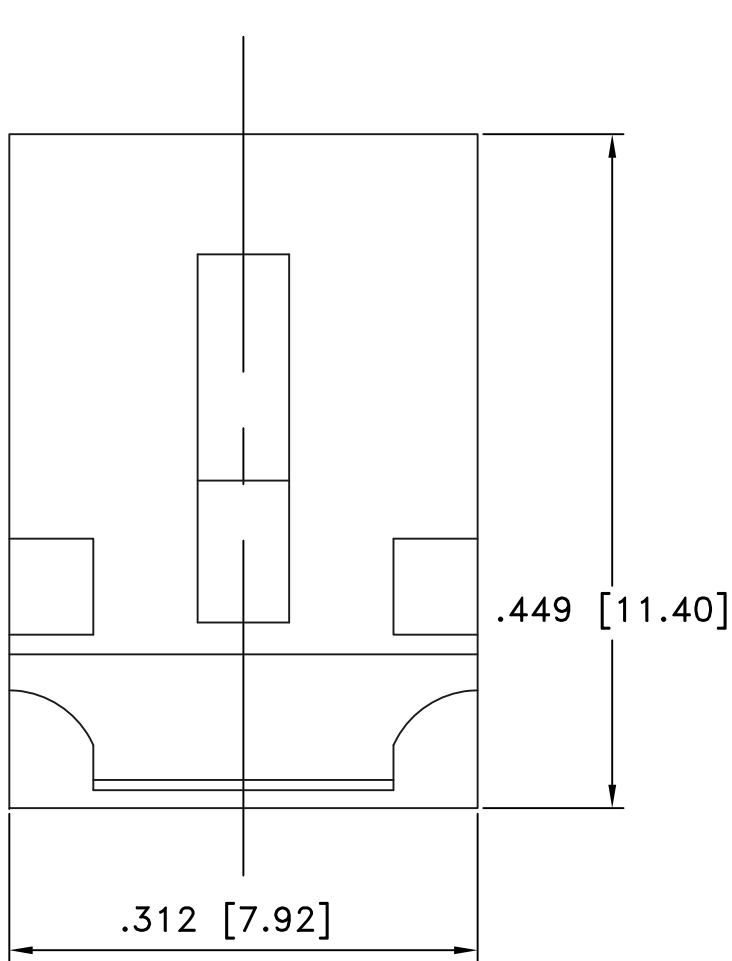



Date	SYM	REVISION RECORD	AUTH	DR.	CK.
03/23/12	B	ADDED ROHS COMPLIANT	T.B.	B.S.	
04/12/12	C	UPDATED MATERIAL	T.B.	B.S.	



MATERIAL:
 0.012" SPRING TEMPER STAINLESS STEEL, NICKEL
 PLATED
 ROHS COMPLIANT

Tolerance (Except as noted)	 Memory protection Devices, Inc 200 Broad Hollow Road, Farmingdale, New York 11735		
decimal $\pm .5 (.020)$		Scale 8=1	Drawn By B.S. Approved By T.B.
Fractional $\pm .8 (.030)$	Title BATTERY CONTACT, AA		
Angular $\pm 3^\circ$	Date 04/12/12	Drawing Number BK-209	