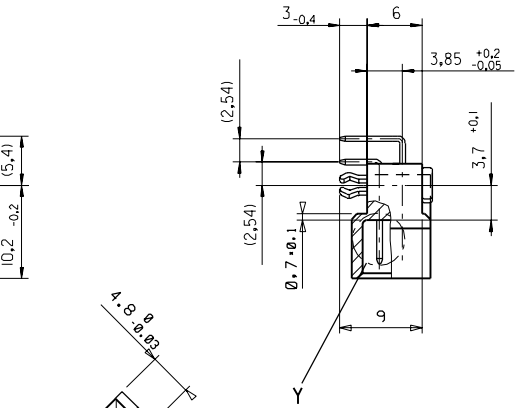
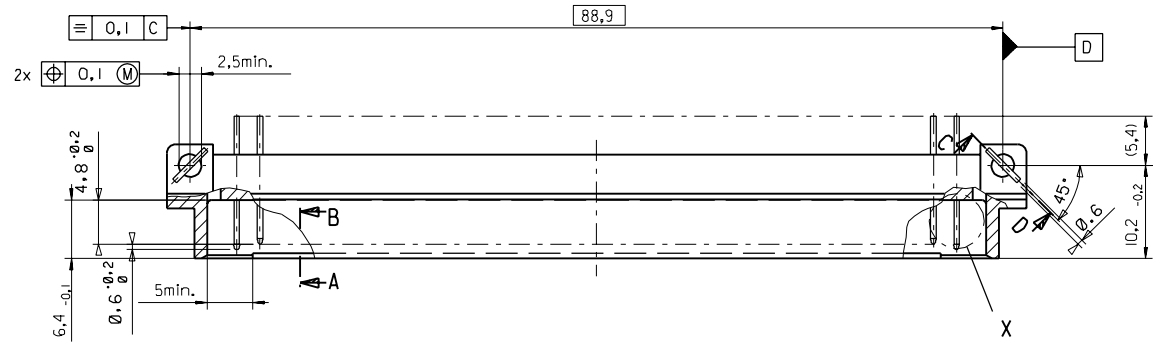
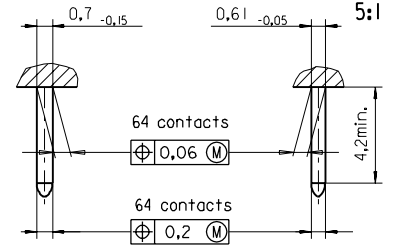
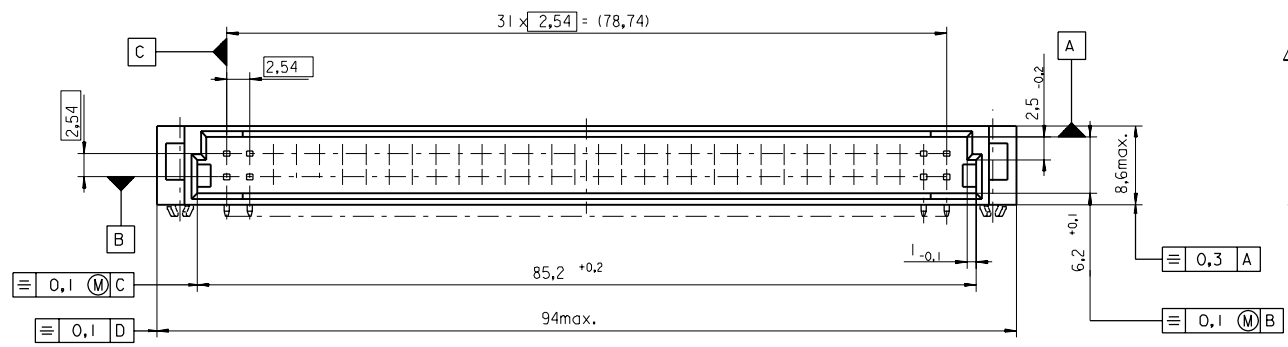


PART NO.
DWG. NO.

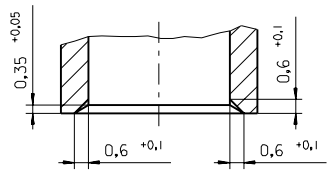
View X
5:1

View Y
5:1



Section C - D

Section A - B
5:1



| | | | | | |
|--|--|---|-------------------------------|--|------|
| FIRST ANGLE PROJECTION | | REVISE ONLY ON CAD SYSTEM | | SH. | REV. |
| first release see ECN No. 1887 | L TR REVISIONS FOR PREVIOUS REVISIONS SEE MRI LIST | UNLESS OTHERWISE SPECIFIED TOLERANCES: ANGULAR ±2° | DRWG BY SIGN Ca | CAD/CAM PROJECT NAME 85001000 811 | |
| | | INCH METRIC | CHK'D BY SIGN KN | THIS DRAWING CONTAINS INFORMATION THAT IS PROPRIETARY TO MOLEX INC. & SHOULD NOT BE USED WITHOUT WRITTEN PERMISSION | |
| | | 3 PLACE ± . ± | APP'D BY SIGN | TITLE 64 pos. Male connector acc. DIN 41612 style B Dimensions | |
| | | 2 PLACE ± . ± | SCALE 2:1 | SHEET NO. DATE 1 OF 95/06/06 | |
| 1 PLACE ± . ± | DESIGN DIMENSION <input checked="" type="checkbox"/> MM | MOLEX MOLEX EUROPE | | SHEET NO. DATE | |
| DRAFT WHERE APPLICABLE MUST REMAIN WITHIN DIMENSIONS | EQUIVALENT DIMENSION <input type="checkbox"/> MM | PART NO. | | DWG NO. | |
| IF TWO DIMENSIONS ARE SHOWN THE UPPER IS THE DESIGN DIMENSION, LOWER IS SECONDARY | | SIZE B | | SDA-85001-0001 | |

