

Signal isolator - MACX MCR-EX-SL-NAM-NAM - 2866006

Please be informed that the data shown in this PDF Document is generated from our Online Catalog. Please find the complete data in the user's documentation. Our General Terms of Use for Downloads are valid (<http://phoenixcontact.com/download>)



Ex i NAMUR signal conditioner. For operating Ex i proximity sensors and switches in the Ex area. Passive transistor output (resistive according to EN 60947-5-6), line fault transparency, up to SIL 2 according to IEC 61508; screw connection.

Product Features

- Signal input: intrinsically safe [Ex ia]; for NAMUR proximity sensors (EN 60947-5-6) or switch contacts
-
-
-
- Direction of operation can be selected
- Line fault detection (LFD) can be enabled and disabled
- SIL 2 according to IEC 61508/EN 61508
- 3-way electrical isolation
- Power supply and error indication possible via DIN rail connector
- Plug-in connection terminals, screw connection technology
- Installation in zone 2 permitted
- Housing width: 12.5 mm



Key Commercial Data

Packing unit	1 pc
Weight per Piece (excluding packing)	140.0 g
Custom tariff number	85437090
Country of origin	Germany

Technical data

Note

Signal isolator - MACX MCR-EX-SL-NAM-NAM - 2866006

Technical data

Note

Utilization restriction	EMC: class A product, see manufacturer's declaration in the download area
-------------------------	---

Dimensions

Width	12.5 mm
Height	99 mm
Depth	114.5 mm

Ambient conditions

Ambient temperature (operation)	-20 °C ... 60 °C (Any mounting position)
Ambient temperature (storage/transport)	-40 °C ... 80 °C
Maximum altitude	≤ 2000 m
Permissible humidity (operation)	10 % ... 95 % (non-condensing)
Noise immunity	EN 61000-6-2
Degree of protection	IP20

Input data

Non-load voltage	8 V DC ±10 %
Switching points (attenuated)	< 1.2 mA (blocking)
Switching points (unattenuated)	> 2.1 mA (conductive)

Output data

Switching output	Resistive (transistor, passive)
------------------	---------------------------------

Power supply

Nominal supply voltage	24 V DC
Supply voltage range	9.6 V DC ... 30 V DC (12 V DC ... 24 V DC (-20 % ... +25 %))
Power consumption	< 0.6 W
	< 600 mW

Connection data

Conductor cross section solid min.	0.2 mm ²
Conductor cross section solid max.	2.5 mm ²
Conductor cross section flexible min.	0.2 mm ²
Conductor cross section flexible max.	2.5 mm ²
Conductor cross section AWG min.	24
Conductor cross section AWG max.	14
Stripping length	7 mm
Screw thread	M3
Connection method	Screw connection
Tightening torque, min	0.5 Nm

Signal isolator - MACX MCR-EX-SL-NAM-NAM - 2866006

Technical data

Connection data

Tightening torque max	0.6 Nm
-----------------------	--------

General

No. of channels	1
Status display	Green LED (supply voltage)
	LED yellow (switching state)
	Red LED (line errors)
Flammability rating according to UL 94	V0
Degree of pollution	2
Overvoltage category	II
Electromagnetic compatibility	Conformance with EMC Directive 2004/108/EC
Emitted interference	EN 61000-6-4
Housing material	PA 66-FR
Color	green
Designation	Input/output
Electrical isolation	375 V (Peak value in accordance with EN 60079-11)
Designation	Input/output/supply, DIN rail connector
Electrical isolation	300 V _{rms} (Rated insulation voltage (overvoltage category II; degree of pollution 2, safe isolation as per EN 61010-1))
	2.5 kV (50 Hz, 1 min., test voltage)
Designation	Input/supply, DIN rail connector
Electrical isolation	375 V (Peak value in accordance with EN 60079-11)
Conformance	CE-compliant, additionally EN 61326
ATEX	# II (1) G [Ex ia Ga] IIC
	# II (1) D [Ex ia Da] IIIC
	# II 3G Ex nA IIC T4 Gc X
IECEX	[Ex ia Ga] IIC
	[Ex ia Da] IIIC
	Ex nA IIC T4 Gc
UL, USA / Canada	UL 61010 Listed
Functional Safety (SIL)	SIL 2

Safety data

Max. internal inductance L _i	negligible
Max. internal capacitance C _i	negligible
Max. output voltage U _o	9.6 V
Max. output current I _o	10 mA
Max. output power P _o	25 mW

Signal isolator - MACX MCR-EX-SL-NAM-NAM - 2866006

Technical data

Safety data

Group	IIC
Max. external inductivity L_o	100 mH
Max. external capacity C_o	3.6 μ F
Group	IIB/IIIC
Max. external inductivity L_o	100 mH
Max. external capacity C_o	26 μ F
Safety-related maximum voltage U_m	253 V AC/DC

Standards and Regulations

Electromagnetic compatibility	Conformance with EMC Directive 2004/108/EC
Noise emission	EN 61000-6-4
Flammability rating according to UL 94	V0
Conformance	CE-compliant, additionally EN 61326
ATEX	# II (1) G [Ex ia Ga] IIC
	# II (1) D [Ex ia Da] IIIC
	# II 3G Ex nA IIC T4 Gc X
IECEX	[Ex ia Ga] IIC
	[Ex ia Da] IIIC
	Ex nA IIC T4 Gc
UL, USA / Canada	UL 61010 Listed
Group	IIC
	IIB/IIIC

Classifications

eCl@ss

eCl@ss 4.0	27210121
eCl@ss 4.1	27210121
eCl@ss 5.0	27210121
eCl@ss 5.1	27210121
eCl@ss 6.0	27210121
eCl@ss 7.0	27210121
eCl@ss 8.0	27210121

ETIM

ETIM 3.0	EC001599
ETIM 4.0	EC001485
ETIM 5.0	EC001485

Signal isolator - MACX MCR-EX-SL-NAM-NAM - 2866006

Classifications

UNSPSC

UNSPSC 6.01	30211506
UNSPSC 7.0901	39121008
UNSPSC 11	39121008
UNSPSC 12.01	39121008
UNSPSC 13.2	39121008

Approvals

Approvals

Approvals


UL Listed / cUL Listed / GL / cULus Listed


Ex Approvals

IECEX / UL Listed / cUL Listed / EAC Ex / cULus Listed

Approvals submitted

Approval details

UL Listed 

cUL Listed 

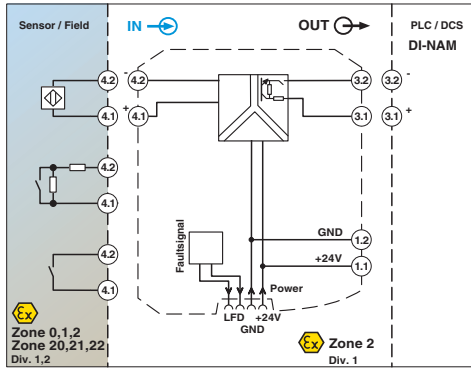
GL

cULus Listed 

Drawings

Signal isolator - MACX MCR-EX-SL-NAM-NAM - 2866006

Block diagram



Pictogram

