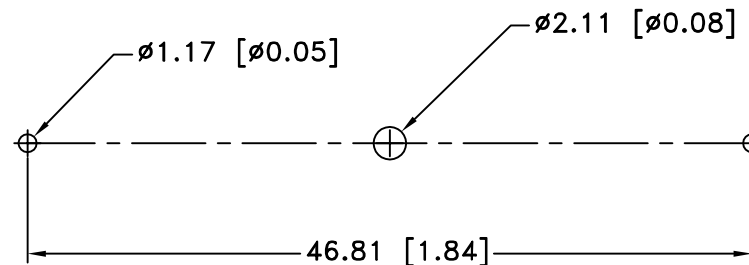
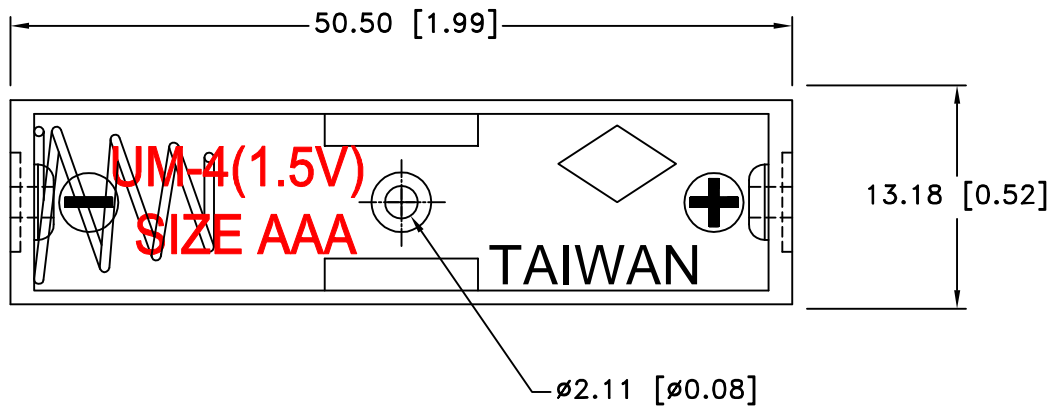
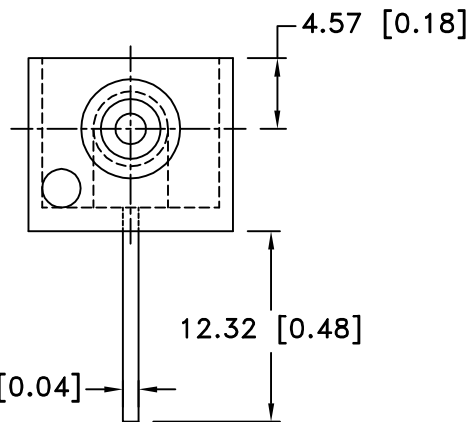
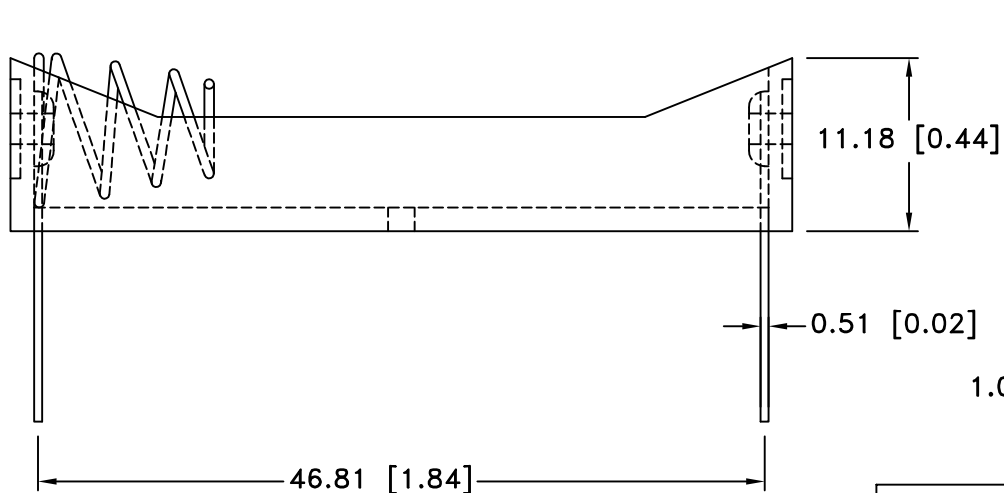


| Date    | SYM | REVISION RECORD        | AUTH | DR.  | CK. |
|---------|-----|------------------------|------|------|-----|
| 7/29/06 | A   | ADDED "ROHS COMPLIANT" | T.B. | B.S. |     |
|         |     |                        |      |      |     |
|         |     |                        |      |      |     |
|         |     |                        |      |      |     |




PCB LAYOUT



NOTES:

1. MATERIAL:

- HOUSING : BLACK ABS
- RIVETS: BRASS, NICKLE PLTD.
- SPRING: SPRING STEEL, NICKLE PLTD.
- CONTACTS: SPRING STEEL, NICKLE PLTD.
- ROHS COMPLIANT

|                                |   |                           |  |
|--------------------------------|---|---------------------------|--|
| Tolerance<br>(Except as noted) |  <b>Memory Protection Devices, Inc</b><br>200 Broad Hollow Road, Farmingdale, New York 11735 |                           |  |
| decimal<br>$\pm .5$ (.020)     | Scale   | Drawn By B.S.             |  |
| Fractional<br>$\pm .8$ (.030)  | Title   | ONE "AAA" CELL HOLDER     |  |
| Angular<br>$\pm 3^\circ$       | Date<br>7/29/06   | Drawing Number<br>BCAAAPC |  |
|                                |   | Approved By T.B.          |  |