

PART NAME: KNOB

SCALE: 1:1

DATE: 11/5/92

DR. BY HD

DAVIES MOLDING COMPANY

CAROL STREAM, ILLINOIS 60188

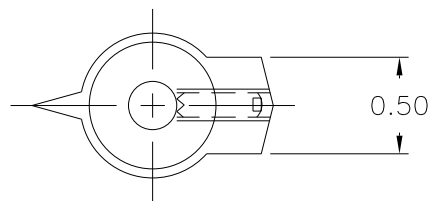
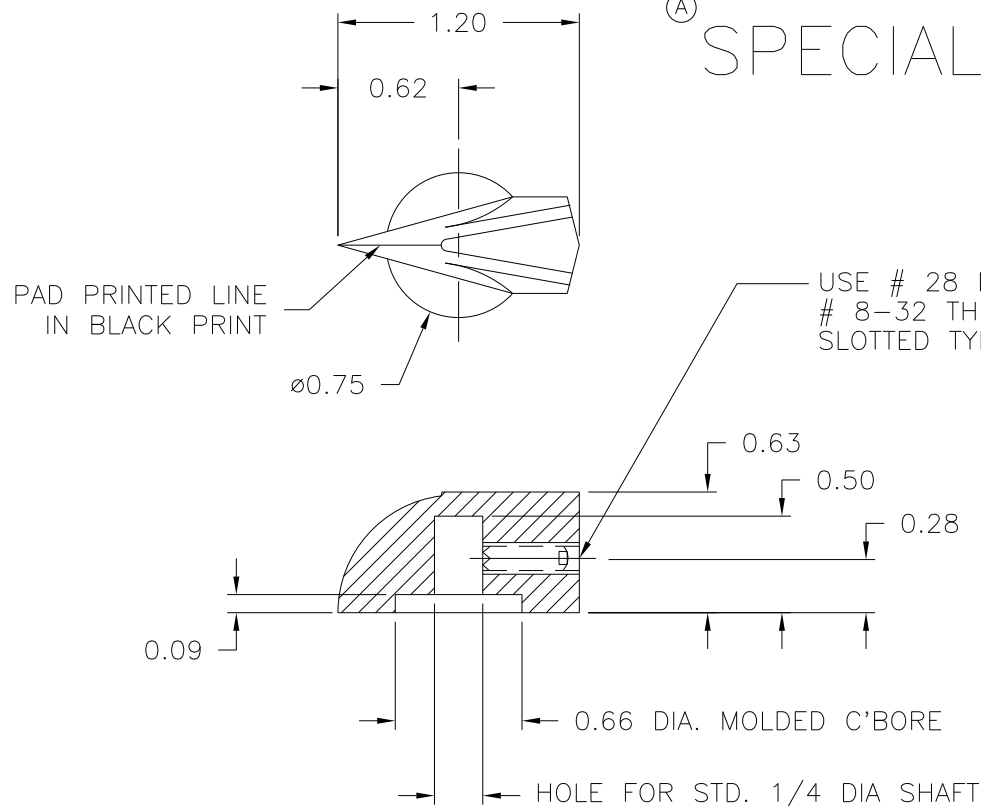
P/N 2300BQ

THIS DRAWING IS THE PROPERTY OF DAVIES MOLDING COMPANY, IS SUBMITTED SOLELY AS A DESIGN OR ENGINEERING PROJECT. WE ACCEPT NO RESPONSIBILITY WHATSOEVER FOR THE PRACTICAL APPLICATION OF THE PIECES MADE TO THIS DESIGN.

BASE PART 2300-02

SET SCREW I0022

(A) SPECIAL PACKING



MATERIAL: UREA FORMALDEHYDE (V32)
COLOR: IVORY

TOLERANCES: UNLESS OTHERWISE SPECIFIED	DO NOT SCALE DRAWING			
DECIMALS: X.XXX ± .005 X.XX ± .015	MM: X.XX ± 0.15MM X.X ± 0.4MM	A	ADDED SPECIAL PACKING	JAM 1/29/09
FRACTIONS ± 1/64	ANG. ± 1°	-	CORRECTED & REDREW	TS 4/17/03
CHANGES				