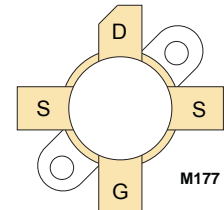



RF POWER VERTICAL MOSFET

The VRF2933 is a gold-metallized silicon n-channel RF power transistor designed for broadband commercial and military applications requiring high power and gain without compromising reliability, ruggedness, or inter-modulation distortion.



FEATURES

- Improved Ruggedness $V_{(BR)DSS} = 170V$
- 300W with 22dB Typ. Gain @ 30MHz, 50V
- Excellent Stability & Low IMD
- Common Source Configuration
- Available in Matched Pairs
- **NOW** 14% lower $V_{DS(ON)}$
- 70:1 Load VSWR Capability at Specified Operating Conditions
- Nitride Passivated
- Refractory Gold Metallization
- Improved Replacement for SD2933
- Thermally Enhanced Package
- RoHS Compliant 

Maximum Ratings

All Ratings: $T_c = 25^\circ C$ unless otherwise specified


Symbol	Parameter	VRF2933(MP)	Unit
V_{DSS}	Drain-Source Voltage	170	V
I_D	Continuous Drain Current @ $T_c = 25^\circ C$	42	A
V_{GS}	Gate-Source Voltage	± 40	V
P_D	Total Device dissipation @ $T_c = 25^\circ C$	648	W
T_{STG}	Storage Temperature Range	-65 to 150	$^\circ C$
T_J	Operating Junction Temperature Max	200	

Static Electrical Characteristics

Symbol	Parameter	Min	Typ	Max	Unit
$V_{(BR)DSS}$	Drain-Source Breakdown Voltage ($V_{GS} = 0V, I_D = 100mA$)	170	180		V
$V_{DS(ON)}$	On State Drain Voltage ($I_{D(ON)} = 20A, V_{GS} = 10V$)		1.8	2.4	
I_{DSS}	Zero Gate Voltage Drain Current ($V_{DS} = 100V, V_{GS} = 0V$)			2.0	mA
I_{GSS}	Gate-Source Leakage Current ($V_{DS} = \pm 20V, V_{GS} = 0V$)			2.0	μA
g_{fs}	Forward Transconductance ($V_{DS} = 10V, I_D = 20A$)	8			mhos
$V_{GS(TH)}$	Gate Threshold Voltage ($V_{DS} = 10V, I_D = 100mA$)	2.9	3.6	4.4	V

Thermal Characteristics

Symbol	Characteristic	Min	Typ	Max	Unit
$R_{\theta JC}$	Junction to Case Thermal Resistance			0.27	$^\circ C/W$

 **CAUTION:** These Devices are Sensitive to Electrostatic Discharge. Proper Handling Procedures Should Be Followed.

Dynamic Characteristics

VRF2933(MP)

Symbol	Parameter	Test Conditions	Min	Typ	Max	Unit
C_{ISS}	Input Capacitance	$V_{GS} = 0V$		740		pF
C_{OSS}	Output Capacitance	$V_{DS} = 50V$		400		
C_{RSS}	Reverse Transfer Capacitance	$f = 1MHz$		32		

Functional Characteristics

Symbol	Parameter	Min	Typ	Max	Unit
G_{PS}	$f_1 = 30MHz, V_{DD} = 50V, I_{DQ} = 250mA, P_{out} = 300W$	20	25		dB
η_D	$f_1 = 30MHz, V_{DD} = 50V, I_{DQ} = 250mA, P_{out} = 300W CW$		50		%
ψ	$f_1 = 30MHz, V_{DD} = 50V, I_{DQ} = 250mA, P_{out} = 300W CW,$ 70:1 VSWR - All Phase Angles, 0.2 mSec X 20% Duty Factor	No Degradation in Output Power			

Microsemi reserves the right to change, without notice, the specifications and information contained herein.

Typical Performance Curves

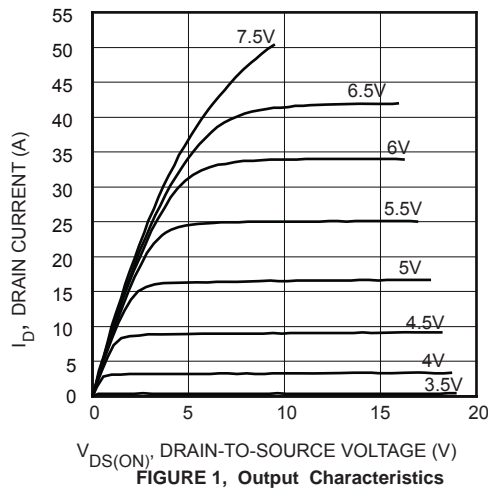


FIGURE 1, Output Characteristics

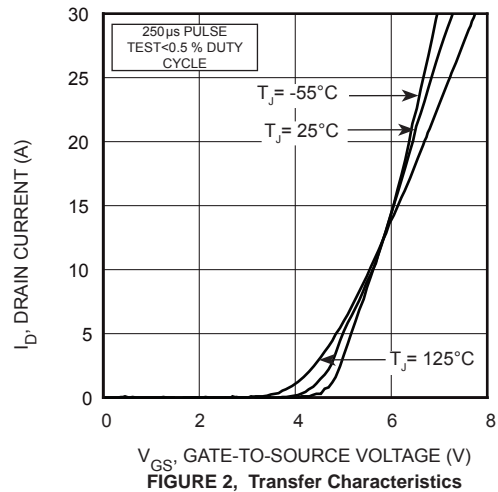


FIGURE 2, Transfer Characteristics

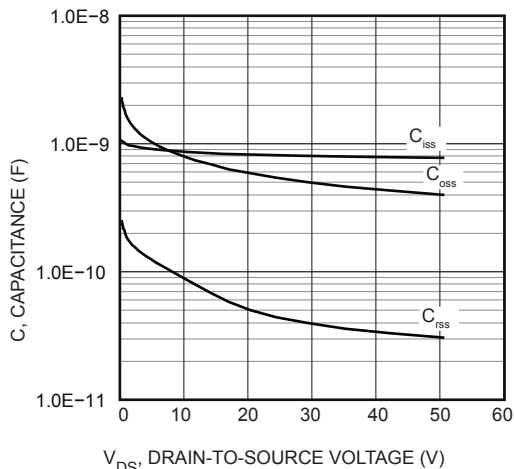


FIGURE 3, Capacitance vs Drain-to-Source Voltage

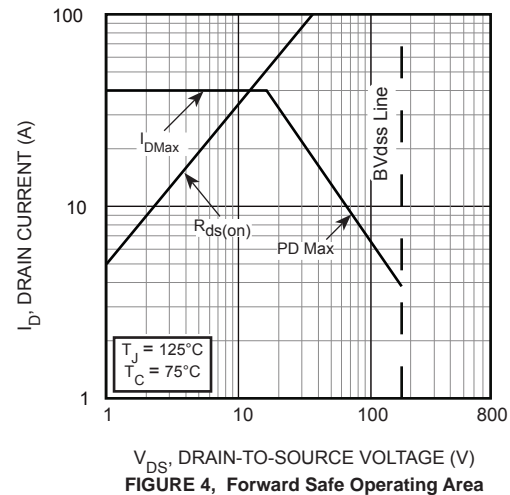


FIGURE 4, Forward Safe Operating Area

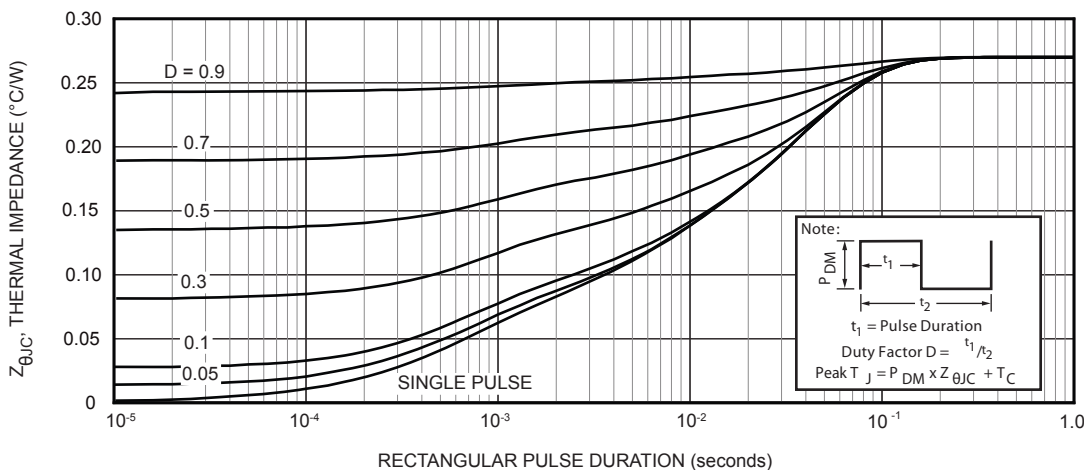


Figure 5. Maximum Effective Transient Thermal Impedance Junction-to-Case vs Pulse Duration

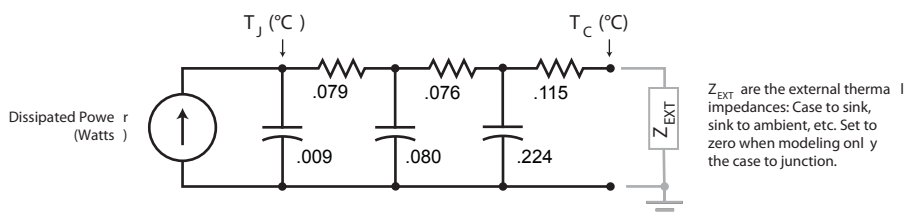


FIGURE 5b, TRANSIENT THERMAL IMPEDANCE MODEL

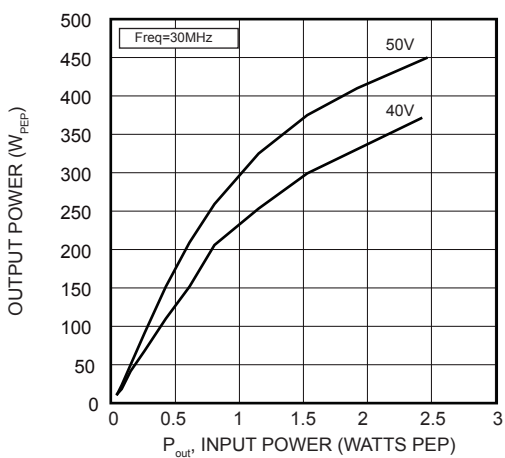


Figure 6. P_{OUT} versus P_{IN}

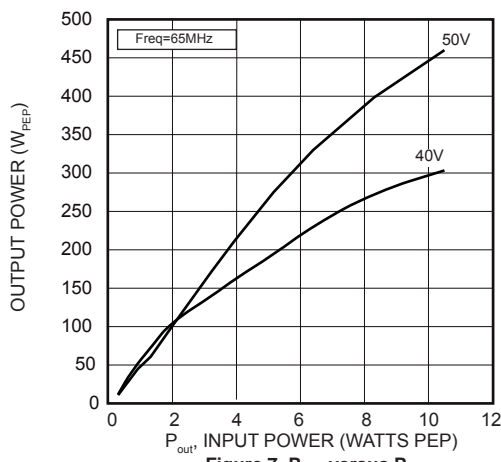


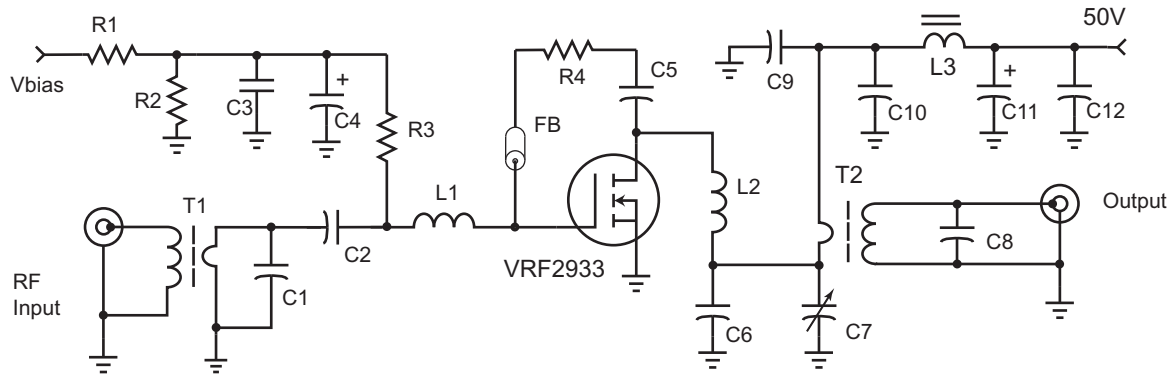
Figure 7. P_{OUT} versus P_{IN}

Table 1 - Typical Class AB Large Signal Input - Output Impedance

Freq. (MHz)	Z_{in}	Z_{out}
2	23.6 - j 5.5	4.0 - j 0.1
13.5	7.6 - j 10.1	3.9 - j 0.6
27.1	3.5 - j 6.0	3.7 - j 1.1
40.7	2.5 - j 4.0	3.3 - j 1.5
65	1.95 - j 2.07	2.6 - j 1.9
100	1.8 - j 0.66	1.76 - j 0.2
150	1.78 + j 0.5	1.03 + j 1.7

Z_{IN} - Gate shunted with 25Ω $I_{dq} = 250mA$
 Z_{OL} - Conjugate of optimum load for 300 Watts output at $V_{dq} = 50V$

30 MHz Test Circuit



C1 1800pF ATC100B ceramic
 C2, C3, C5, C9, C10, C12 0.1uF 100V
 C6 680 pF metal clad 500V mica
 C7 ARCO 467 mica trimmer
 C8 100 pF ATC 100E ceramic
 C4, C11 10uF 100V Electrolytic
 FB small ferrite bead $\mu_r = 125$
 L1 20 nH 2t #18 0.188"d .2"l
 L2 38 nH - 2.5t #14 enam. .25" dia.

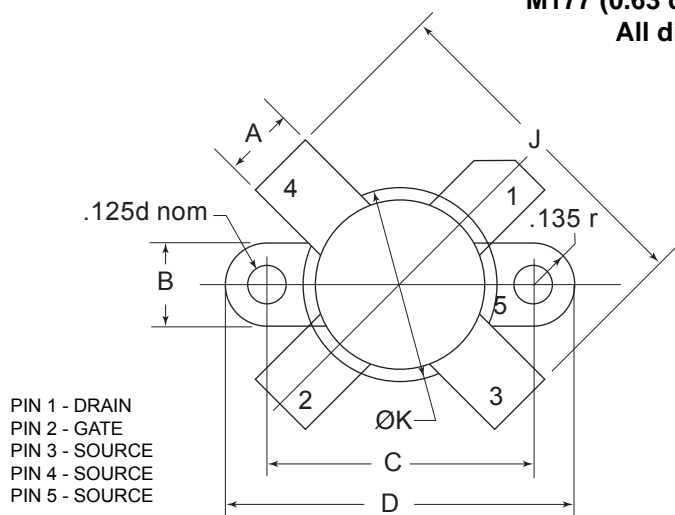
L3 2t #16 on 2x 267300081 .5" bead
 R1-R2 1k Ohm 1/4W
 R3 100 Ohm 1W
 R4 470 Ohm "low inductance" 3W
 T1 16:1 transformer 4t #20 teflon on
 RF Parts Co. T1/2 transformer core
 T2 9:1 transformer 3t #16 teflon on
 RF Parts Co. T1 transformer core

Adding MP at the end of P/N specifies a matched pair where $V_{GS(TH)}$ is matched between the two parts. V_{TH} values are marked on the devices per the following table.

Code	Vth Range	Code 2	Vth Range
A	2.900 - 2.975	M	3.650 - 3.725
B	2.975 - 3.050	N	3.725 - 3.800
C	3.050 - 3.125	P	3.800 - 3.875
D	3.125 - 3.200	R	3.875 - 3.950
E	3.200 - 3.275	S	3.950 - 4.025
F	3.275 - 3.350	T	4.025 - 4.100
G	3.350 - 3.425	W	4.100 - 4.175
H	3.425 - 3.500	X	4.175 - 4.250
J	3.500 - 3.575	Y	4.250 - 4.325
K	3.575 - 3.650	Z	4.325 - 4.400

V_{TH} values are based on Microsemi measurements at datasheet conditions with an accuracy of 1.0%.

M177 (0.63 dia. SOE) Mechanical Data
All dimensions are ± 0.005



DIM	MIN	TYP	MAX
A	0.225	0.230	0.235
B	0.265	0.270	0.275
C	0.860	0.865	0.870
D	1.130	1.135	1.140
E	0.545	0.550	0.555
F	0.003	0.005	0.007
G	0.098	0.103	0.108
H	0.150	0.160	0.170
I			0.280
J	1.080	1.100	1.120
K	0.625	0.630	0.635

HAZARDOUS MATERIAL WARNING: The ceramic portion of the device below the lead plane is beryllium oxide. Beryllium oxide dust is highly toxic when inhaled. Care must be taken during handling and mounting to avoid damage to this area. These devices must never be thrown away with general industrial or domestic waste. BeO substrate weight: 0.703g. Percentage of total module weight which is BeO: 9%.

The information contained in the document (unless it is publicly available on the Web without access restrictions) is PROPRIETARY AND CONFIDENTIAL information of Microsemi and cannot be copied, published, uploaded, posted, transmitted, distributed or disclosed or used without the express duly signed written consent of Microsemi. If the recipient of this document has entered into a disclosure agreement with Microsemi, then the terms of such Agreement will also apply. This document and the information contained herein may not be modified, by any person other than authorized personnel of Microsemi. No license under any patent, copyright, trade secret or other intellectual property right is granted to or conferred upon you by disclosure or delivery of the information, either expressly, by implication, inducement, estoppels or otherwise. Any license under such intellectual property rights must be approved by Microsemi in writing signed by an officer of Microsemi.

Microsemi reserves the right to change the configuration, functionality and performance of its products at anytime without any notice. This product has been subject to limited testing and should not be used in conjunction with life-support or other mission-critical equipment or applications. Microsemi assumes no liability whatsoever, and Microsemi disclaims any express or implied warranty, relating to sale and/or use of Microsemi products including liability or warranties relating to fitness for a particular purpose, merchantability, or infringement of any patent, copyright or other intellectual property right. Any performance specifications believed to be reliable but are not verified and customer or user must conduct and complete all performance and other testing of this product as well as any user or customers final application. User or customer shall not rely on any data and performance specifications or parameters provided by Microsemi. It is the customer's and user's responsibility to independently determine suitability of any Microsemi product and to test and verify the same. The information contained herein is provided "AS IS, WHERE IS" and with all faults, and the entire risk associated with such information is entirely with the User. Microsemi specifically disclaims any liability of any kind including for consequential, incidental and punitive damages as well as lost profit. The product is subject to other terms and conditions which can be located on the web at <http://www.microsemi.com/legal/tnc.asp>