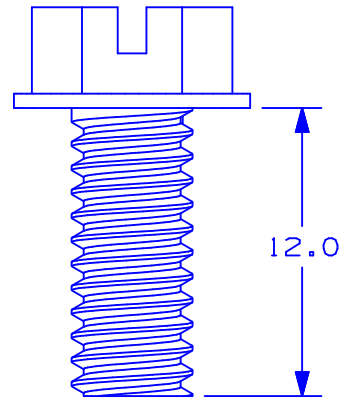
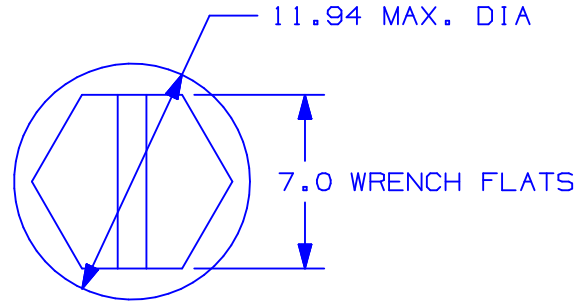


PANDUIT PART NUMBER	QUANTITY
RGTSM6-C	100

NOTES:

1. PAINT PIERCING THREAD DESIGN TO PROVIDE GROUNDING CONNECTION TO THE RACK.
2. M6 SLOTTED HEX HEAD THREAD FORMING SCREW.
3. MATERIAL: ZINC PLATED LOW CARBON STEEL
4. PANDUIT PART NUMBER: RGTSM6-C
5. DIMENSIONS ARE IN MILLIMETERS.



C41471_00

PANDUIT

CORP.

TINLEY PARK, ILLINOIS

M6 SLOTTED HEX HEAD
 THREAD FORMING SCREW (RGTSM6)
 CUSTOMER DRAWING

REV	DATE	BY	CHK	DESCRIPTION	ECN #	PM	CUST
00	12/04	JHNU		DRAWING RELEASED			

DRAWN BY JHNU	CHK'D	SCALE NONE	DRAWING NO. C41471
------------------	-------	---------------	-----------------------